

KELOX

KWP450 KELOX-PROTEC PPSU adapter with male thread 16x1/2"

73702B02

Areas of application



Push-in adapter male for sealing with hemp, made of PPSU, incl. support sleeves, O-rings, pull-out barriers and a protector ring as an insertion locking device

Do NOT use liquid sealants or thread sealing tape!

Approvals:



Specifications

Article information

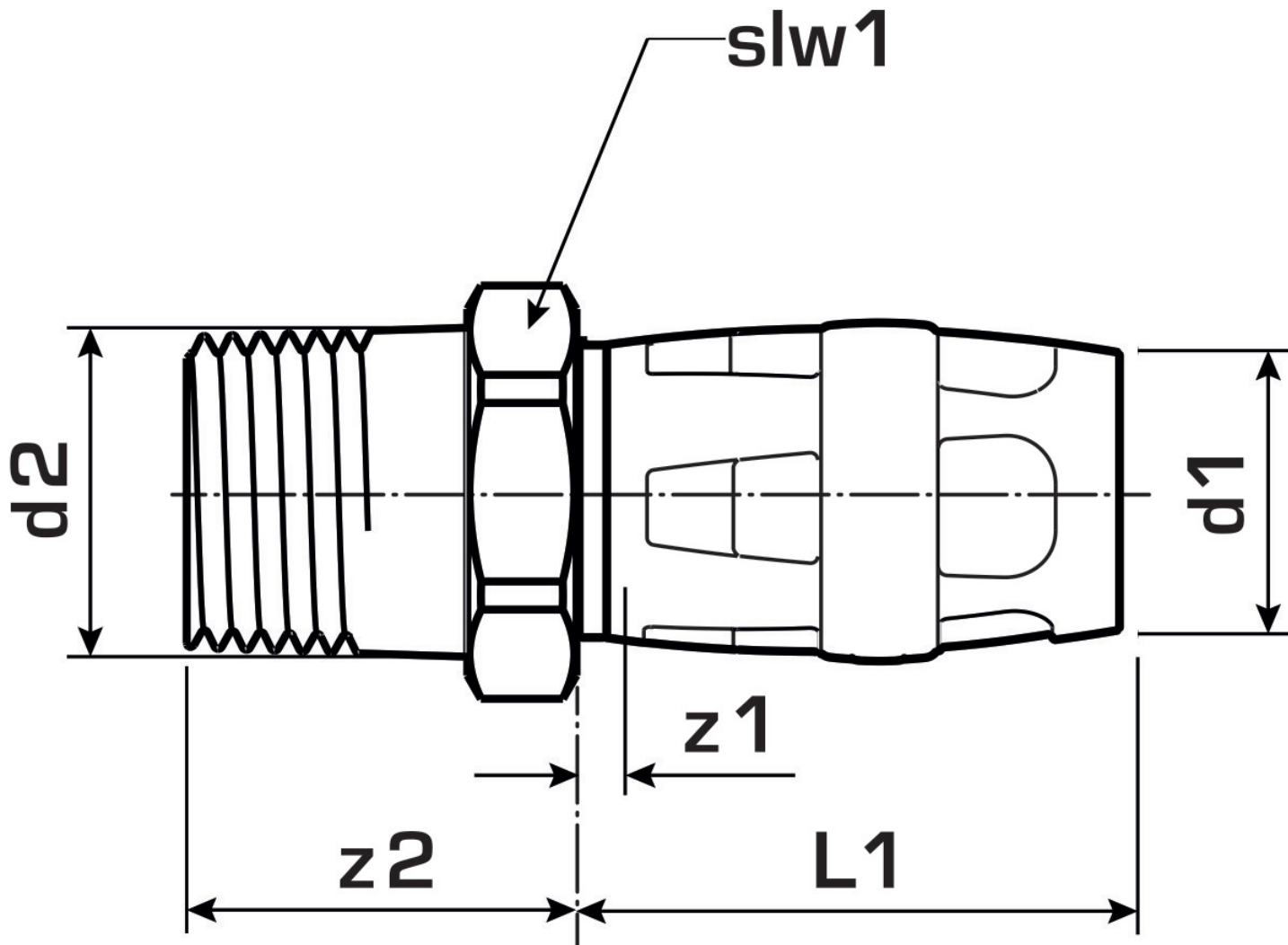
port 1	Plug-in
execution	Miscellaneous
design	Straight

Technical properties

maximum working pressure at 20 ° C	10 bar
------------------------------------	--------

Product information

VPE1	10,00 SA1
VPE2	180,00 KT1
weight	0,025 KGM
text	?KELOX-PROTEC PPSU adapter with male thread
INTRNR	39174000
main material group	KELOX
material group	KELOX-PROtec-PPSU pushfittings
code	KWP450



Art. No	label	d2 Inches	d1 mm	L1 mm	z1 mm	z2 mm	slw1 mm
73702B02	16x1/2"	1/2" (15)	16	28	3	33	24