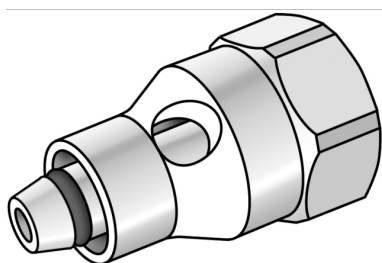


# STEELOX

## SMX258 STEELOX stopper for pressure testing 16x1/2"

57900B02

### Areas of application



Re-usable plug for forcing off STEELOX or KELOX multilayer pipes

After removing the forcing-off plug, cut off the pipe end!

NOT suitable for continuous use!

# Specifications

## Article information

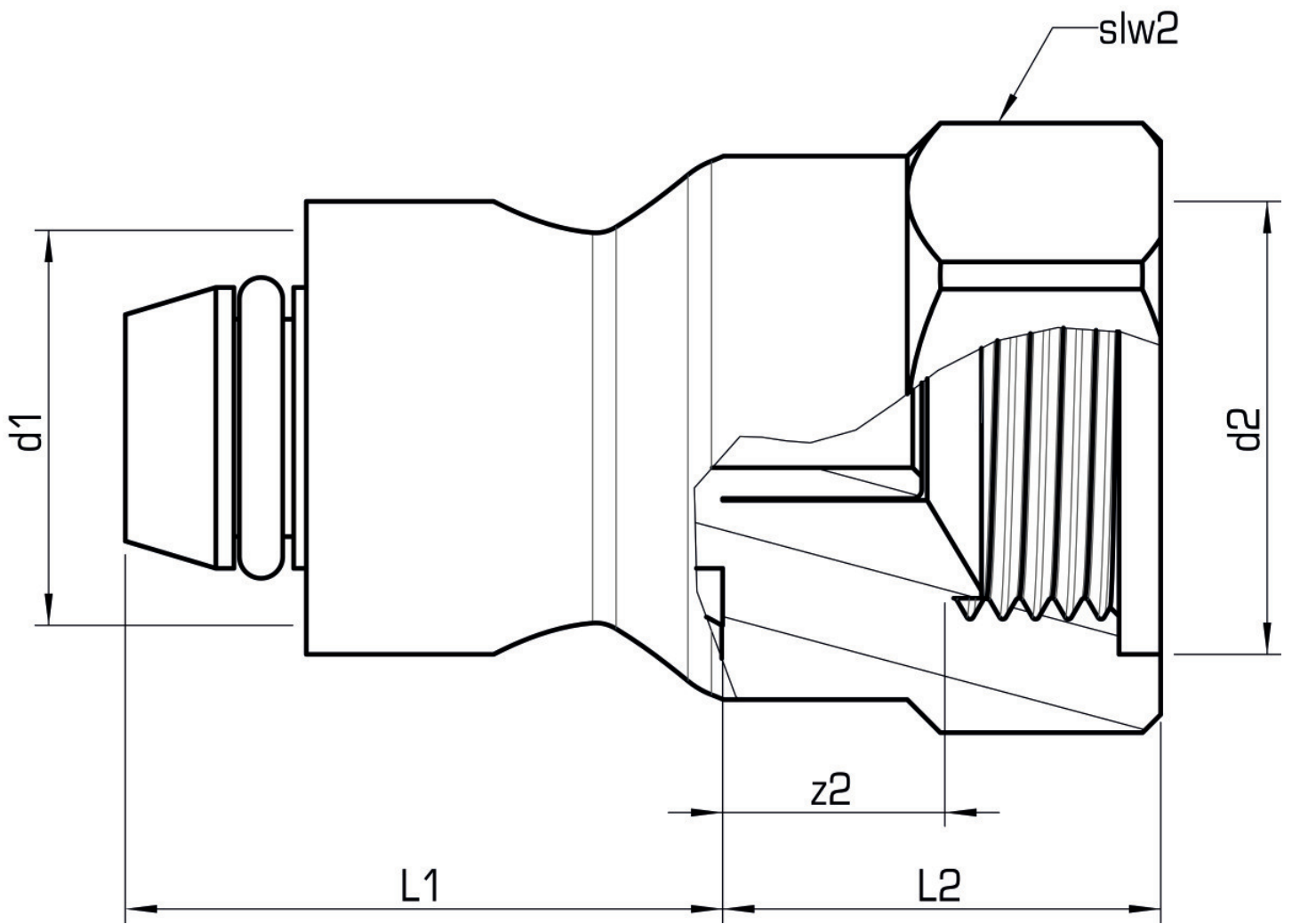
port 1	sonstige
port 2	Innengewinde zylindrisch BSPT-Rp (ISO 7-1 / EN 10226-1)
execution	1-part
design	gerade

## Technical properties

maximum working pressure at 20 ° C	16 bar
PN	PN 10

## Product information

VPE1	1,00 KT1
VPE2	100,00 KT2
weight	0,180 KGM
text	STEELOX stopper for pressure testing
INTRNR	84818059
code	SMX258



Art. No	label	d2 Inches	d1 mm	L1 mm	L2 mm	z2 mm	slw2 mm
57900B02	16x1/2"	1/2" (15)	16	33	24	13,5	30