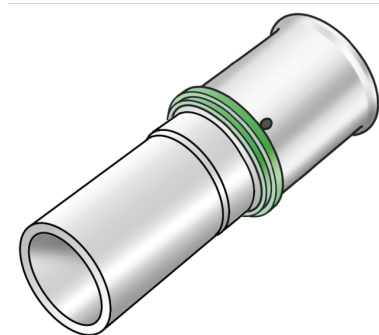


STEELOX

SMX489 ?STEELOX - STEELFIX adapter 25/22

57272DE0

Areas of application



?Press-fit adapter, straight, made of Steelfix/Copperfix pipe dimension to STEELOX pressing socket made of non-porous metallised red brass, incl. support sleeves with O-rings and stainless steel pressing sleeves, "leak before pressed"

ATTENTION! Connection to pipe end only suitable as a compression fitting or press-fit connection!

Approvals:



KE KELIT GmbH

A 4020 Linz, Ignaz-Mayer-Straße 17, Austria, Europe

PHONE +43 (0) 50 779 E-MAIL office@kekelit.com

www.kekelit.com

Specifications

Article information

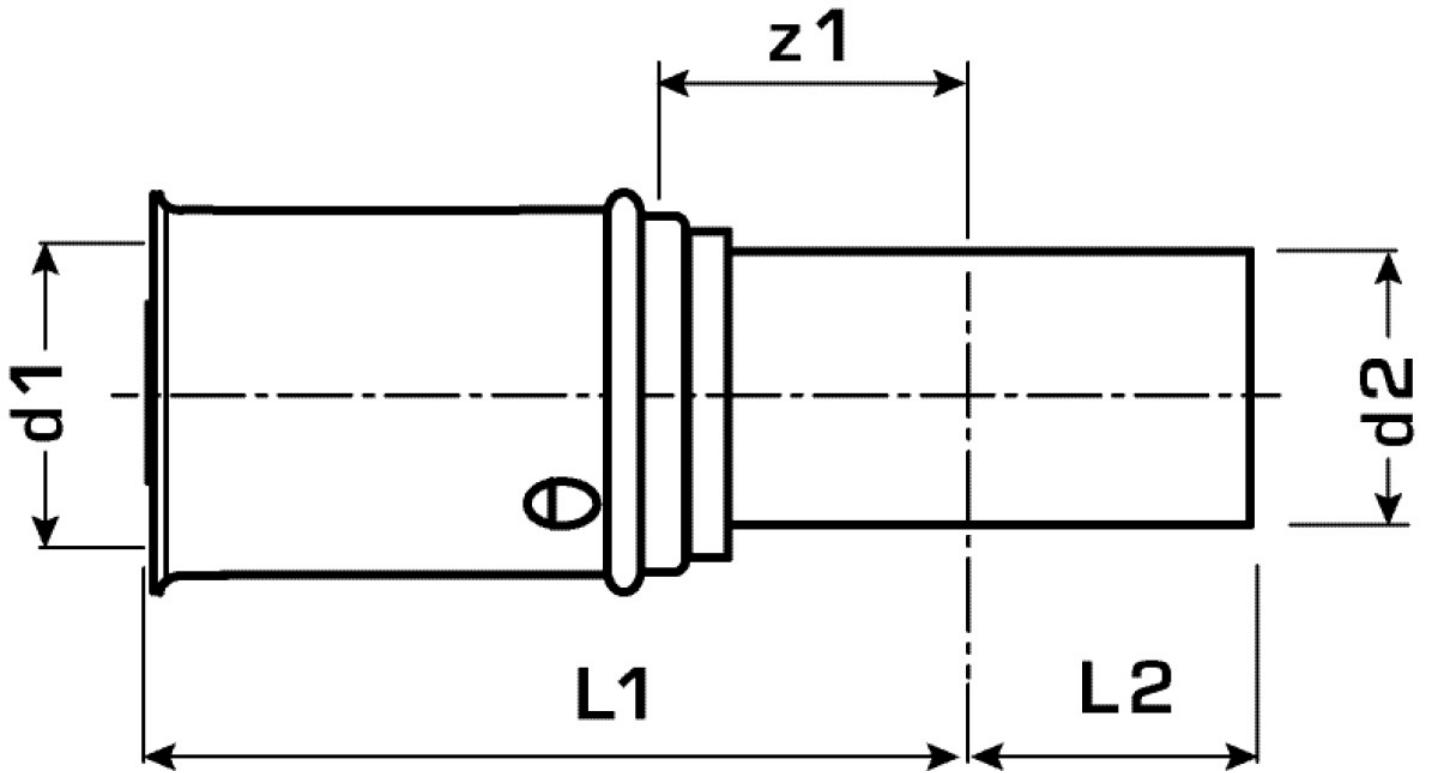
port 1	Pressing socket
port 2	Zapfen/Rohrende
execution	1-part
design	Straight
press contour	SX

Technical properties

maximum working pressure at 20 ° C	10 bar
------------------------------------	--------

Product information

VPE1	10,00 SA1
VPE2	80,00 KT1
weight	0,070 KGM
text	?STEELOX - STEELFIX adapter
INTRNR	74122000
code	SMX489



Art. No	label	d1 mm	d2 mm	L1 mm	L2 mm	z1 mm
57272DE0	25/22	25	22	36	29	3