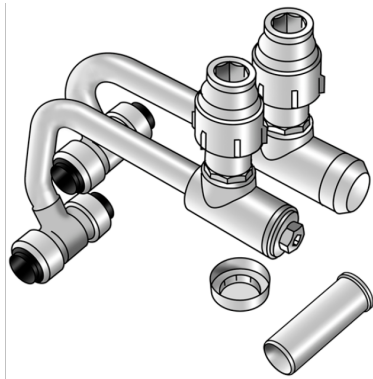


STEEL FIX C-STAHl

CF435 STEELFIX Push-fit skirting board connection set 15 / 3/4" female thread/15

54160BB0

Areas of application



Push-fit skirting board radiator connection set made of brass, non-porous metallised, suitable for processing with carbon steel, stainless steel and copper pipes, heating/cooling connection pipe d12x1mm, incl. height and depth-adjustable corner-shut-off valve, the longitudinal frictional pipe connection of the shut-off valve is ensured with an M13 hex key at the front of the shut-off valve, the locking is performed with an Allen key 4mm, radiator connections 3/4" female, flat sealing
The end parts are needed for the last radiator of the skirting board set!

Specifications

Product information	
VPE1	1,00 SA1
VPE2	6,00 KT1
weight	0,816 KGM
text	STEELFIX Push-fit skirting board connection set
INTRNR	73071990
main material group	STEELFIX
material group	C-STAHl pushfittings
code	CF435

Art. No	label	d1 mm	d2 Zoll
54160BB0	15 / 3/4" female thread/15	15	3/4"