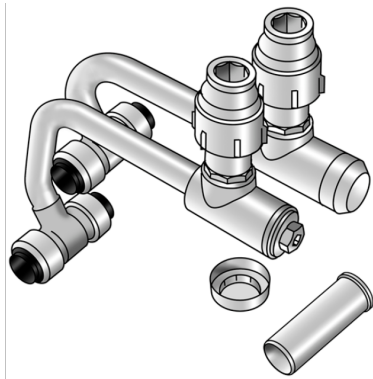


# STEEL FIX C-STAHl

## CF435 STEELFIX Push-fit skirting board connection set End plug 18

54161C00

### Areas of application



Push-fit skirting board radiator connection set made of brass, non-porous metallised, suitable for processing with carbon steel, stainless steel and copper pipes, heating/cooling connection pipe d12x1mm, incl. height and depth-adjustable corner-shut-off valve, the longitudinal frictional pipe connection of the shut-off valve is ensured with an M13 hex key at the front of the shut-off valve, the locking is performed with an Allen key 4mm, radiator connections 3/4" female, flat sealing  
The end parts are needed for the last radiator of the skirting board set!

# Specifications

Product information	
VPE1	2,00 SA1
VPE2	10,00 KT1
weight	0,040 KGM
text	STEELFIX Push-fit skirting board connection set
INTRNR	73071990
main material group	STEELFIX
material group	C-STAHl pushfittings
code	CF435

Art. No	label
54161C00	End plug 18