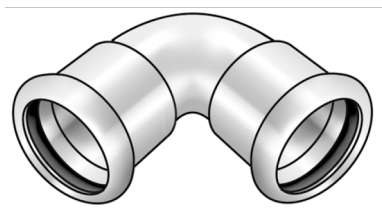


# STEEL FIX C-STAH

CP420 STEELFIX carbon steel press-fit 90°  
elbow 15

54615BB0

## Areas of application



Press-elbow 90° made of carbon steel coated with a zinc layer, incl. EPDM sealing elements, of d15-54 "leak before pressed"

Press contour: M

# Specifications

## Article information

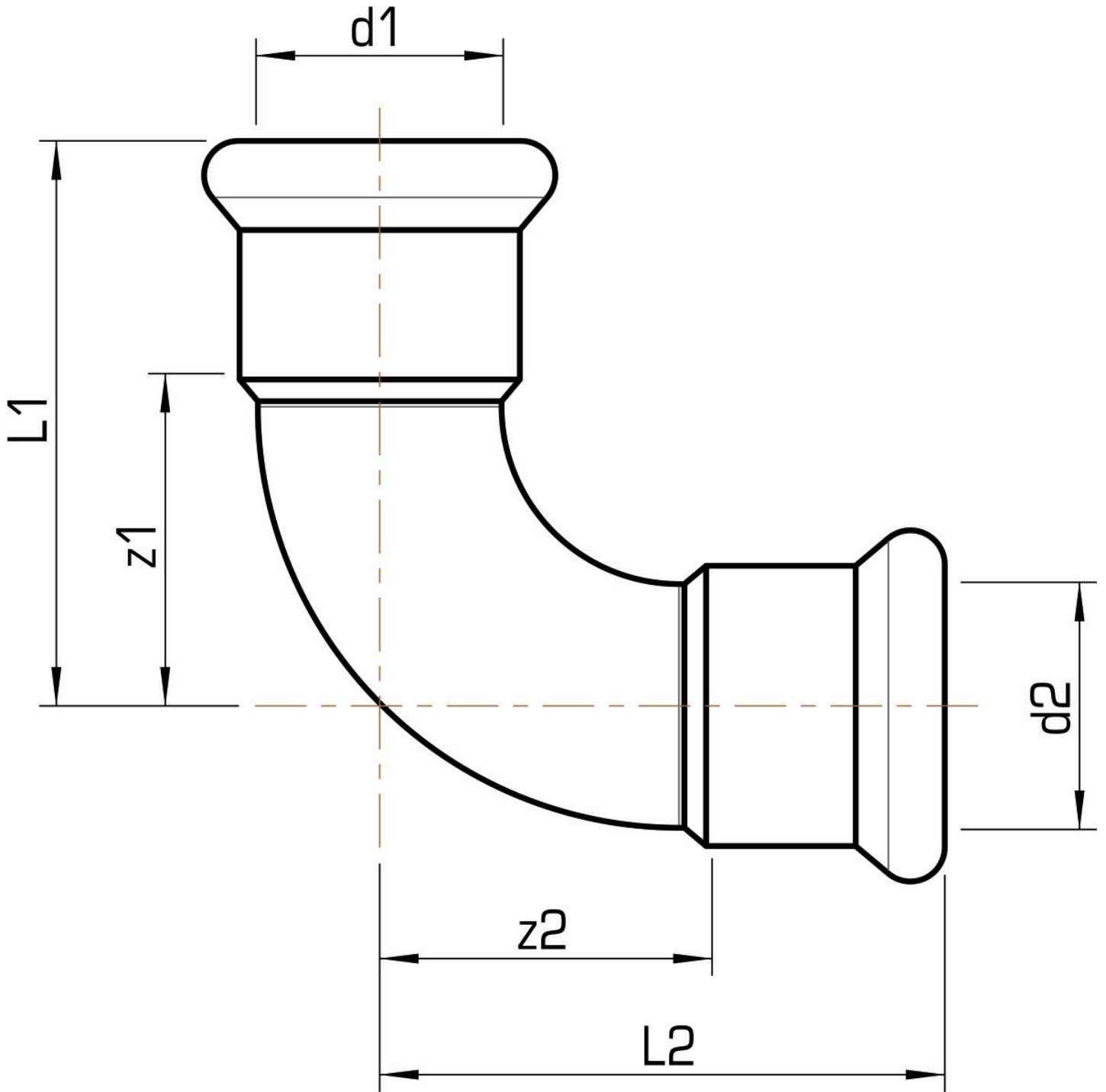
|               |            |
|---------------|------------|
| port 1        | Pressmuffe |
| port 2        | Pressmuffe |
| execution     | 1-part     |
| angle         | 90 °       |
| press contour | M          |

## Technical properties

|                                    |        |
|------------------------------------|--------|
| maximum working pressure at 20 ° C | 16 bar |
|------------------------------------|--------|

## Product information

|                     |   |
|---------------------|---|
| VPE1                | 10,00 SA1                                 |
| VPE2                | 150,00 KT1                                |
| VPE3                | 3750,00 DDP                               |
| weight              | 0,046 KGM                                 |
| text                | STEELFIX carbon steel press-fit 90° elbow |
| INTRNR              | 73079980                                  |
| main material group | STEELFIX                                  |
| material group      | C-STAHL pressfittings                     |
| code                | CP420                                     |



| Art. No  | label | d1 mm | d2 mm | L1 mm | L2 mm | z1 mm | z2 mm |
|----------|-------|-------|-------|-------|-------|-------|-------|
| 54615BB0 | 15    | 15    | 15    | 41    | 41    | 21    | 21    |