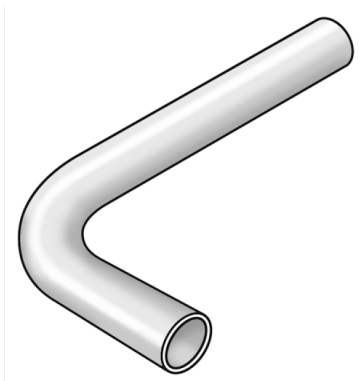


STEEL FIX C-STAHL

CP422 STEELFIX carbon steel press-fit elbow
90° male/male 22

54617DD0

Areas of application



Elbow 90° male/male made of carbon steel, coated with a zinc layer

Dimensions:

d15-22 - 120x70mm

d28 - 120x80mm

d35 - 200x120mm

d42 - 250x150mm

d54 - 300x200mm

Specifications

Article information

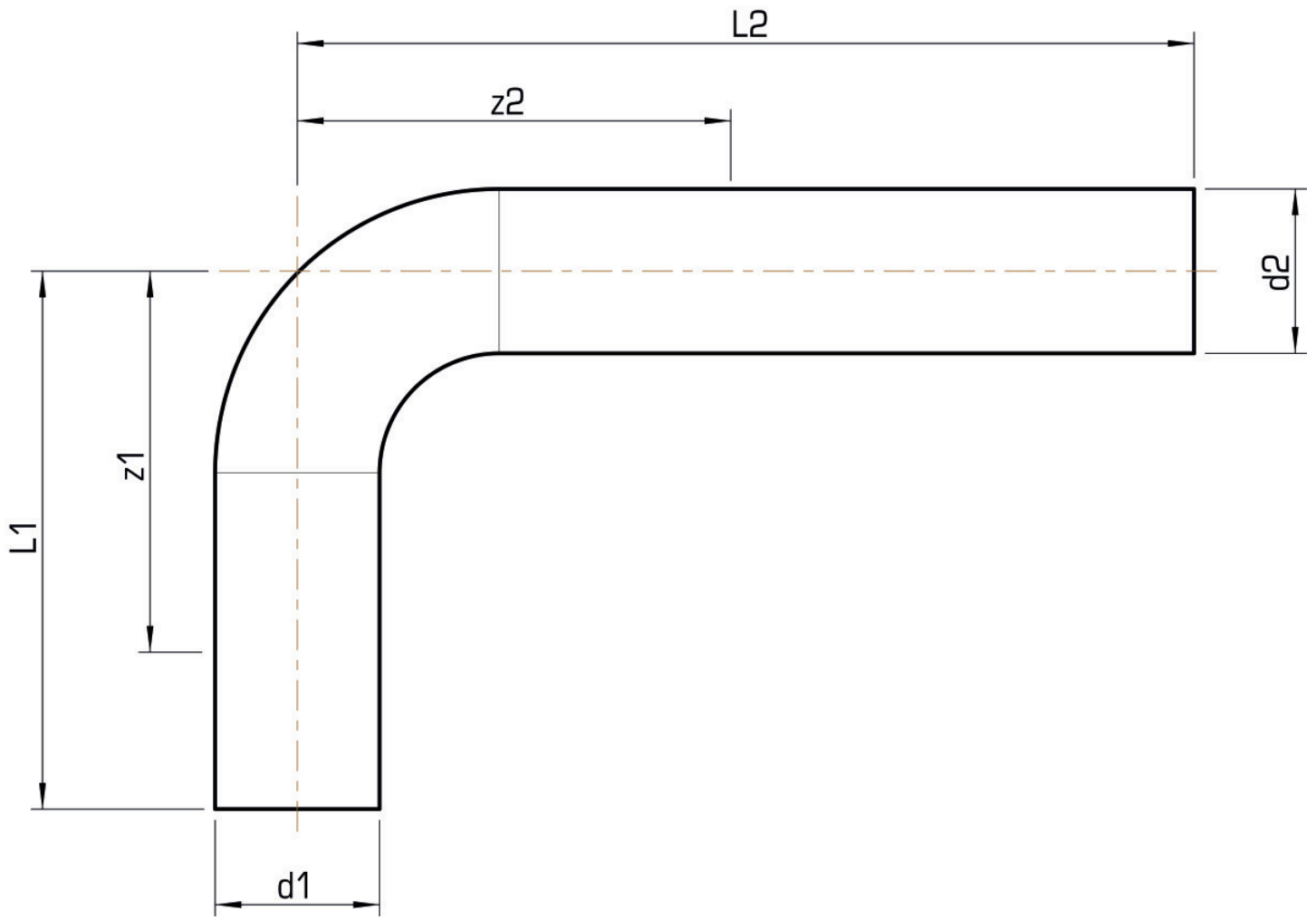
| | |
|-----------|-----------------|
| port 1 | Zapfen/Rohrende |
| port 2 | Zapfen/Rohrende |
| execution | 1-part |
| design | Bogen |
| angle | 90 ° |

Technical properties

| | |
|------------------------------------|--------|
| maximum working pressure at 20 ° C | 16 bar |
|------------------------------------|--------|

Product information

| | |
|---------------------|---|
| VPE1 | 10,00 SA1 |
| VPE2 | 30,00 KT1 |
| VPE3 | 750,00 DDP |
| weight | 0,142 KGM |
| text | STEELFIX carbon steel press-fit elbow 90° male/male |
| INTRNR | 73079980 |
| main material group | STEELFIX |
| material group | C-STAHL pressfittings |
| code | CP422 |



| Art. No | label | d1 mm | d2 mm | L1 mm | L2 mm | z1 mm | z2 |
|----------|-------|-------|-------|-------|-------|-------|----|
| 54617DD0 | 22 | 22 | 22 | 72 | 120 | 51 | 58 |