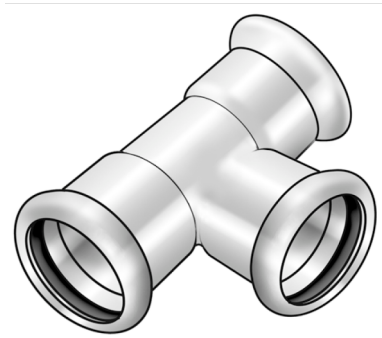


STEEL FIX C-STAHL

CP440 STEELFIX carbon steel press-fit tee
108/42/108

54630LGL

Areas of application



Press-tee equal or reduced made of carbon steel coated with a zinc layer, incl. EPDM sealing components, d15-54 "leak before pressed"

Press contour: M

Specifications

Article information

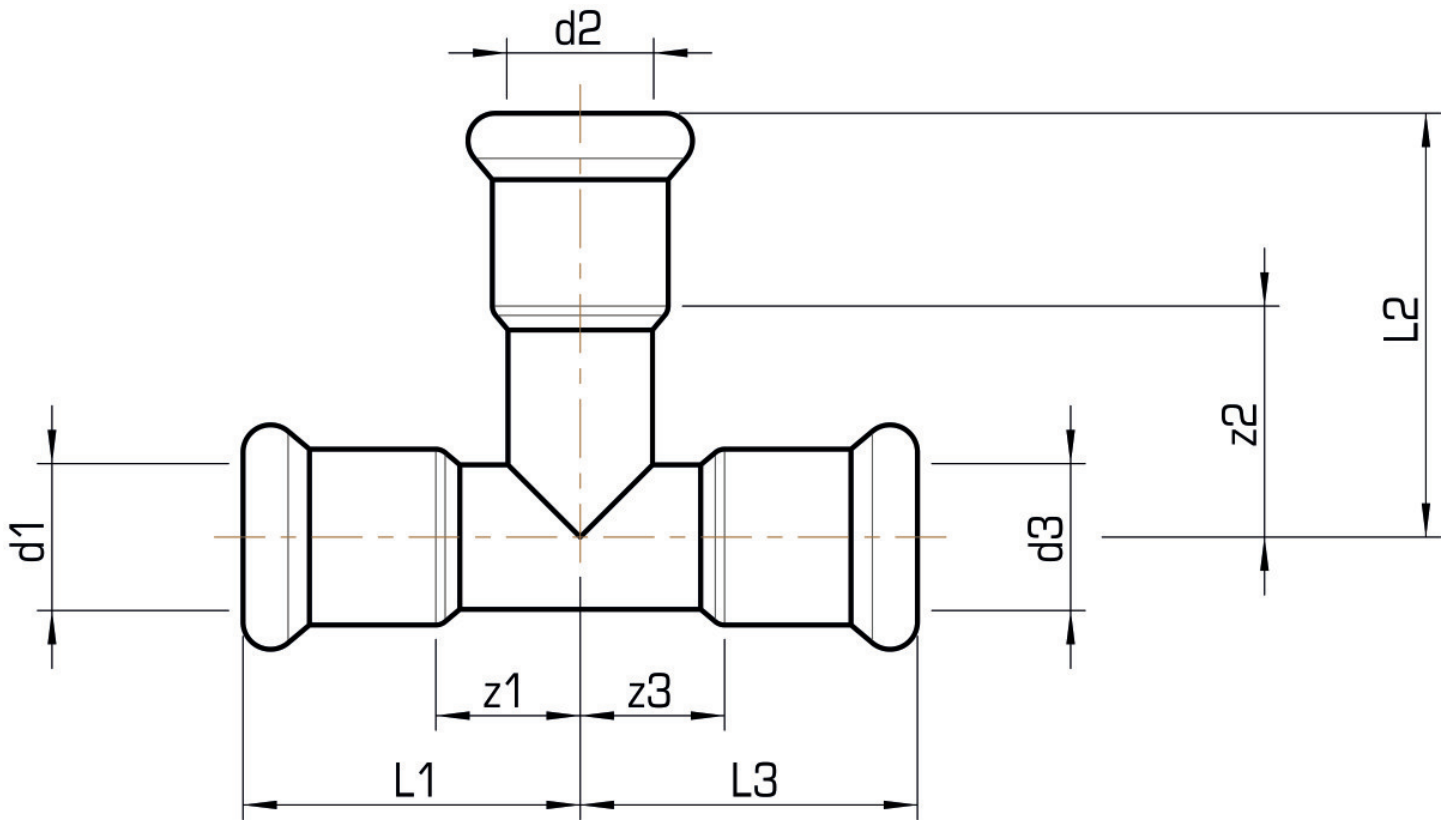
| | |
|---------------|------------|
| port 1 | Pressmuffe |
| port 2 | Pressmuffe |
| port 3 | Pressmuffe |
| execution | T-Stück |
| press contour | M |

Technical properties

| | |
|------------------------------------|--------|
| maximum working pressure at 20 ° C | 16 bar |
|------------------------------------|--------|

Product information

| | |
|---------------------|-------------------------------------|
| VPE1 | 1,00 SA1 |
| VPE2 | 4,00 KT1 |
| weight | 1,986 KGM |
| text | STEELFIX carbon steel press-fit tee |
| INTRNR | 73079980 |
| main material group | STEELFIX |
| material group | C-STAHl pressfittings |
| code | CP440 |



| Art. No | label | d1 mm | d2 mm | d3 mm | L1 mm | L2 mm | L3 mm | z1 mm | z2 mm | z3 mm |
|----------|-----------|-------|-------|-------|-------|-------|-------|-------|-------|-------|
| 54630LGL | 108/42/10 | 108 | 42 | 108 | 156 | 96 | 156 | 79 | 66 | 79 |