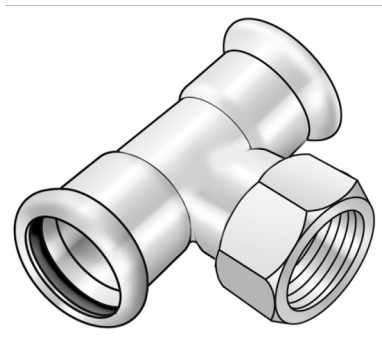


STEEL FIX C-STAHl

CP447 STEELFIX carbon steel press-fit tee with branch female 28x1"

54740E05

Areas of application



?Press-tee with threaded branch female made of carbon steel coated with a zinc layer, incl. EPDM sealing elements, d15-54 "leak before pressed"

Press contour: M

Specifications

Article information

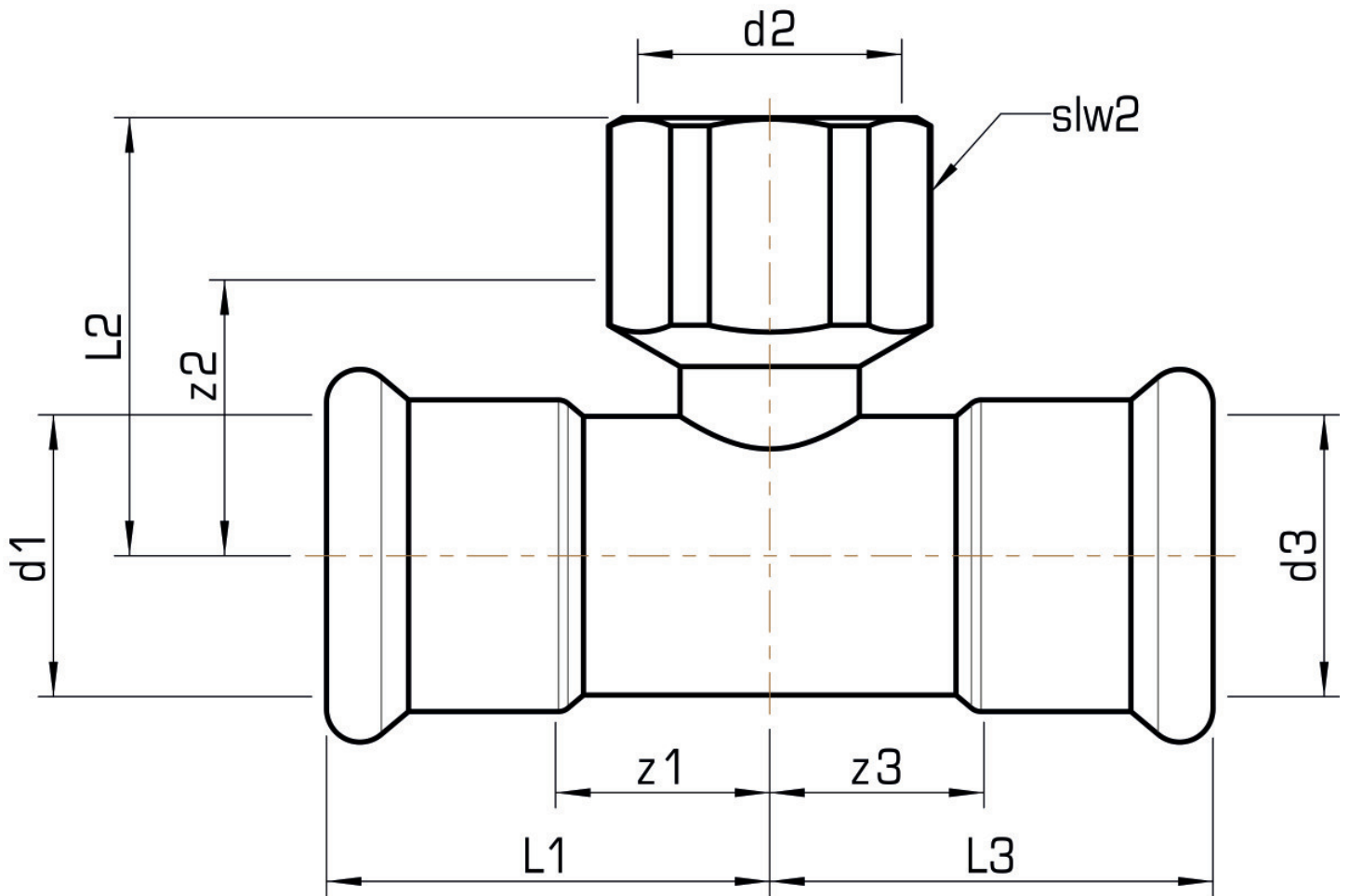
port 1	Pressmuffe
port 2	Innengewinde konisch (NPT)
port 3	Pressmuffe
execution	T-Stück
press contour	M

Technical properties

maximum working pressure at 20 ° C	16 bar
------------------------------------	--------

Product information

VPE1	5,00 SA1
VPE2	30,00 KT1
VPE3	750,00 DDP
weight	0,245 KGM
text	STEELFIX carbon steel press-fit tee with branch female
INTRNR	73079980
main material group	STEELFIX
material group	C-STAHL pressfittings
code	CP447



Art. No	label	d2 Inches	d1 mm	d3 mm	L1 mm	L2 mm	L3 mm	z1 mm	z2 mm	z3 mm	slw1 mm
54740E0	28x1"	1"	28	28	44,5	48	44,5	21,5	25	21,5	41