

# STEEL FIX C-STAHL

CP450 STEELFIX carbon steel press-fit-adapter with male thread 35x5/4"

54702F06

## Areas of application



?Press-adapter with male thread conforming to EN 10226-1 made of carbon steel coated with a zinc layer, incl. EPDM sealing elements, d15-54 "leak before pressed"

Press contour: M

# Specifications

## Article information

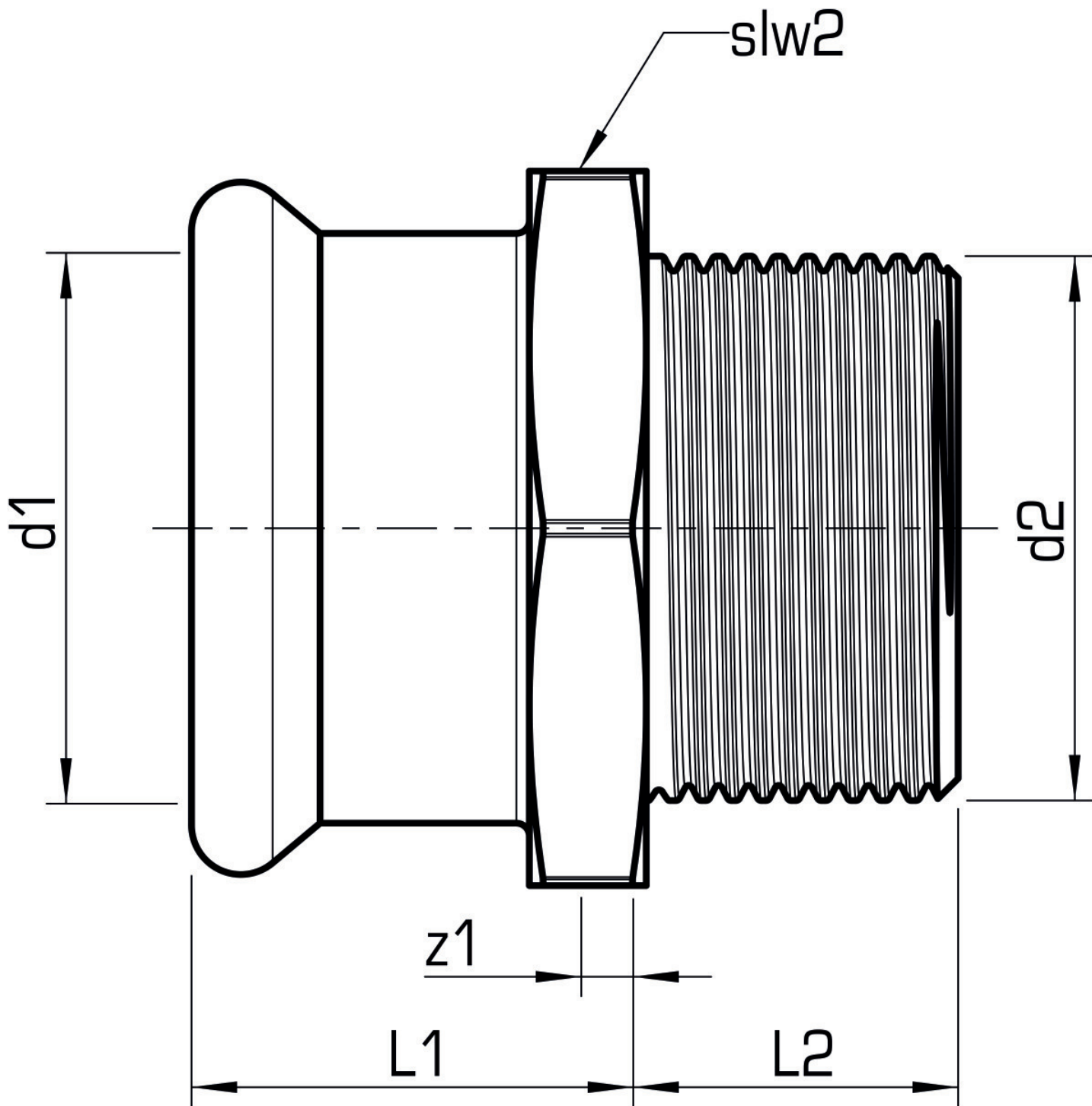
|               |                            |
|---------------|----------------------------|
| port 1        | Pressmuffe                 |
| port 2        | Außengewinde konisch (NPT) |
| execution     | 1-part                     |
| design        | gerade                     |
| press contour | M                          |

## Technical properties

|                                    |        |
|------------------------------------|--------|
| maximum working pressure at 20 ° C | 16 bar |
|------------------------------------|--------|

## Product information

|                     |  |
|---------------------|--|
| VPE1                | 5,00 SA1   |
| VPE2                | 40,00 KT1  |
| VPE3                | 1000,00 DDP  |
| weight              | 0,190 KGM  |
| text                | STEELFIX carbon steel press-fit-adapter with male thread |
| INTRNR              | 73079980   |
| main material group | STEELFIX   |
| material group      | C-STAHL pressfittings                                    |
| code                | CP450  |



| Art. No  | label   | d2 Inches | d1 mm | L1 mm | L2 mm | z1 mm | slw2 mm |
|----------|---------|-----------|-------|-------|-------|-------|---------|
| 54702F06 | 35x5/4" | 1 1/4"    | 35    | 30    | 25    | 6     | 46      |