

# STEEL FIX C-STAHl

CP450 STEELFIX carbon steel press-fit-adapter with male thread 54x6/4"

54702H07

## Areas of application



?Press-adapter with male thread conforming to EN 10226-1 made of carbon steel coated with a zinc layer, incl. EPDM sealing elements, d15-54 "leak before pressed"

Press contour: M

# Specifications

## Article information

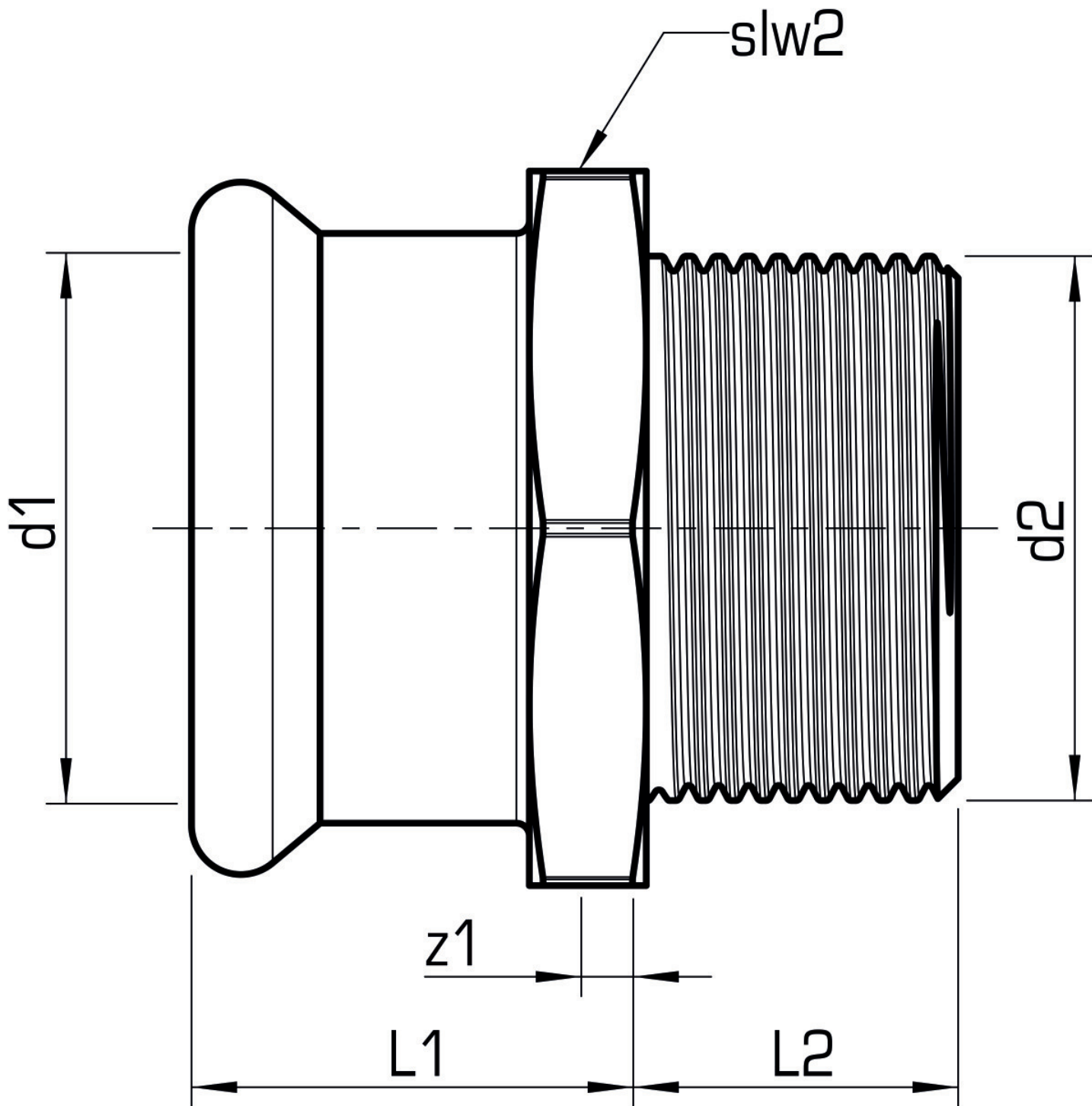
port 1	Pressmuffe
port 2	Außengewinde konisch (NPT)
execution	1-part
design	gerade
press contour	M

## Technical properties

maximum working pressure at 20 ° C	16 bar
------------------------------------	--------

## Product information

VPE1	4,00 SA1
VPE2	12,00 KT1
weight	0,320 KGM
text	STEELFIX carbon steel press-fit-adapter with male thread
INTRNR	73079980
main material group	STEELFIX
material group	C-STAHL pressfittings
code	CP450



Art. No	label	d2 Inches	d1 mm	L1 mm	L2 mm	z1 mm	slw2 mm
54702H07	54x6/4"	1 1/2"	54	39	26,5	6	70