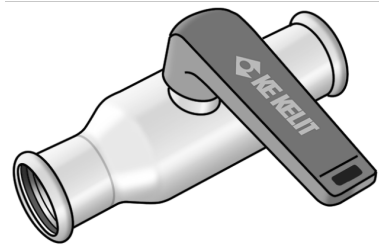


STEEL FIX C-STAHL

CP453 STEELFIX carbon steel press-fit ball valve
22

54728DD0

Areas of application



Press-fit ball valve with full passage, ball and base body with full flow, made of carbon steel coated with a zinc layer, incl. EPDM sealing elements, "leak before pressed"

Press contour: M

Operating temperature: - 35°C - tmax 135°C



KE KELIT GmbH

A 4020 Linz, Ignaz-Mayer-Straße 17, Austria, Europe

PHONE +43 (0) 50 779 E-MAIL office@kekelit.com

www.kekelit.com

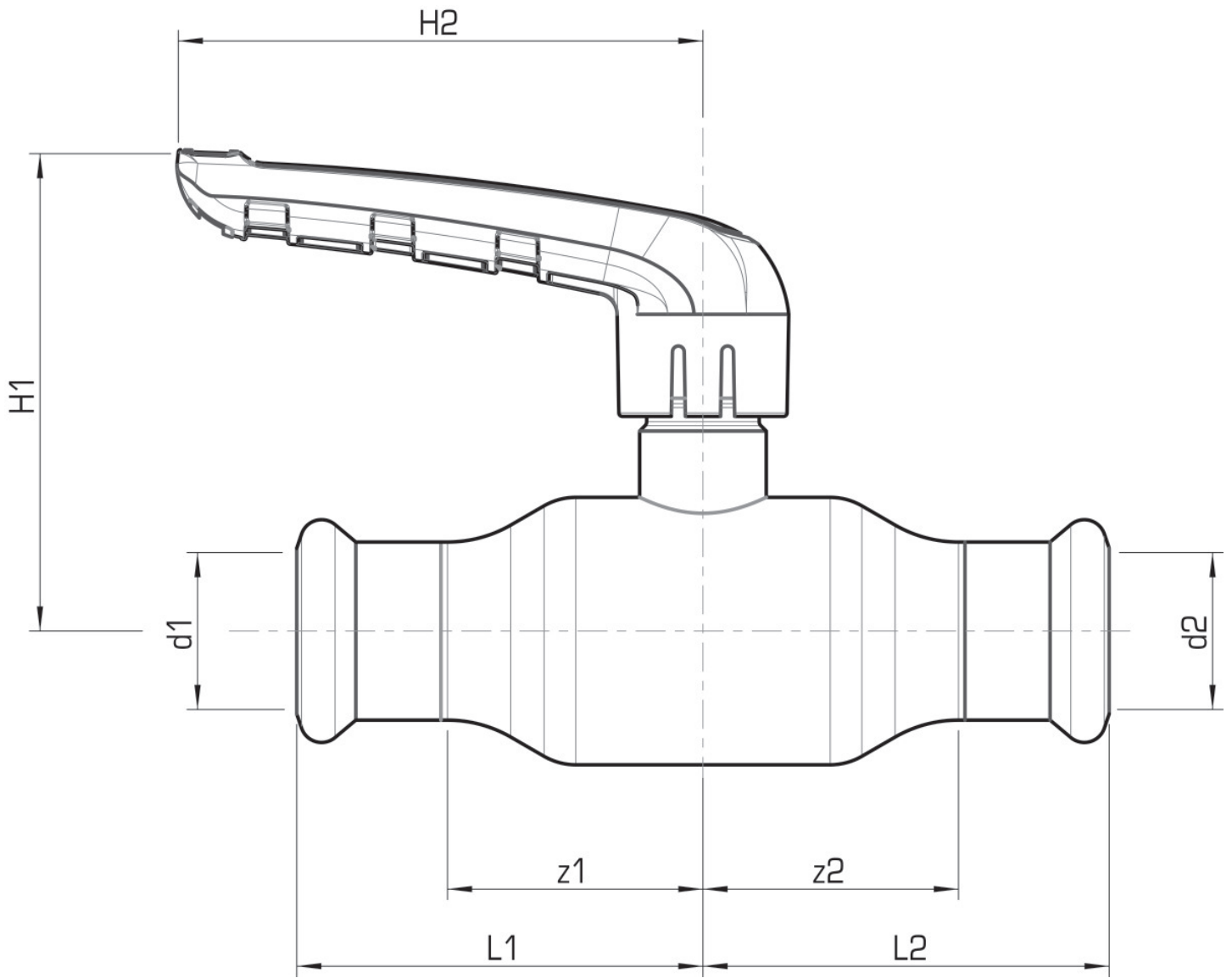
Specifications

Article information

port 1	Pressmuffe
port 2	Pressmuffe
execution	gerade

Product information

VPE1	1,00 SA1
VPE2	15,00 KT1
weight	0,220 KGM
text	STEELFIX carbon steel press-fit ball valve
INTRNR	84818081
main material group	STEELFIX
material group	C-STAHL pressfittings
code	CP453



Art. No	label	d1 mm	d2 mm	L1 mm	L2 mm	z1 mm	z2 mm
54728DD0	22	22	22	58	58	37	37