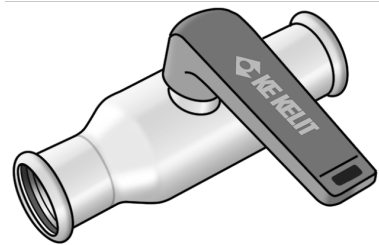


# STEEL FIX C-STAH

CP453 STEELFIX carbon steel press-fit ball valve  
54

54728HH0

## Areas of application



Press-fit ball valve with full passage, ball and base body with full flow, made of carbon steel coated with a zinc layer, incl. EPDM sealing elements, "leak before pressed"

Press contour: M

Operating temperature: - 35°C - tmax 135°C



KE KELIT GmbH

A 4020 Linz, Ignaz-Mayer-Straße 17, Austria, Europe

PHONE +43 (0) 50 779 E-MAIL [office@kekelit.com](mailto:office@kekelit.com)

[www.kekelit.com](http://www.kekelit.com)

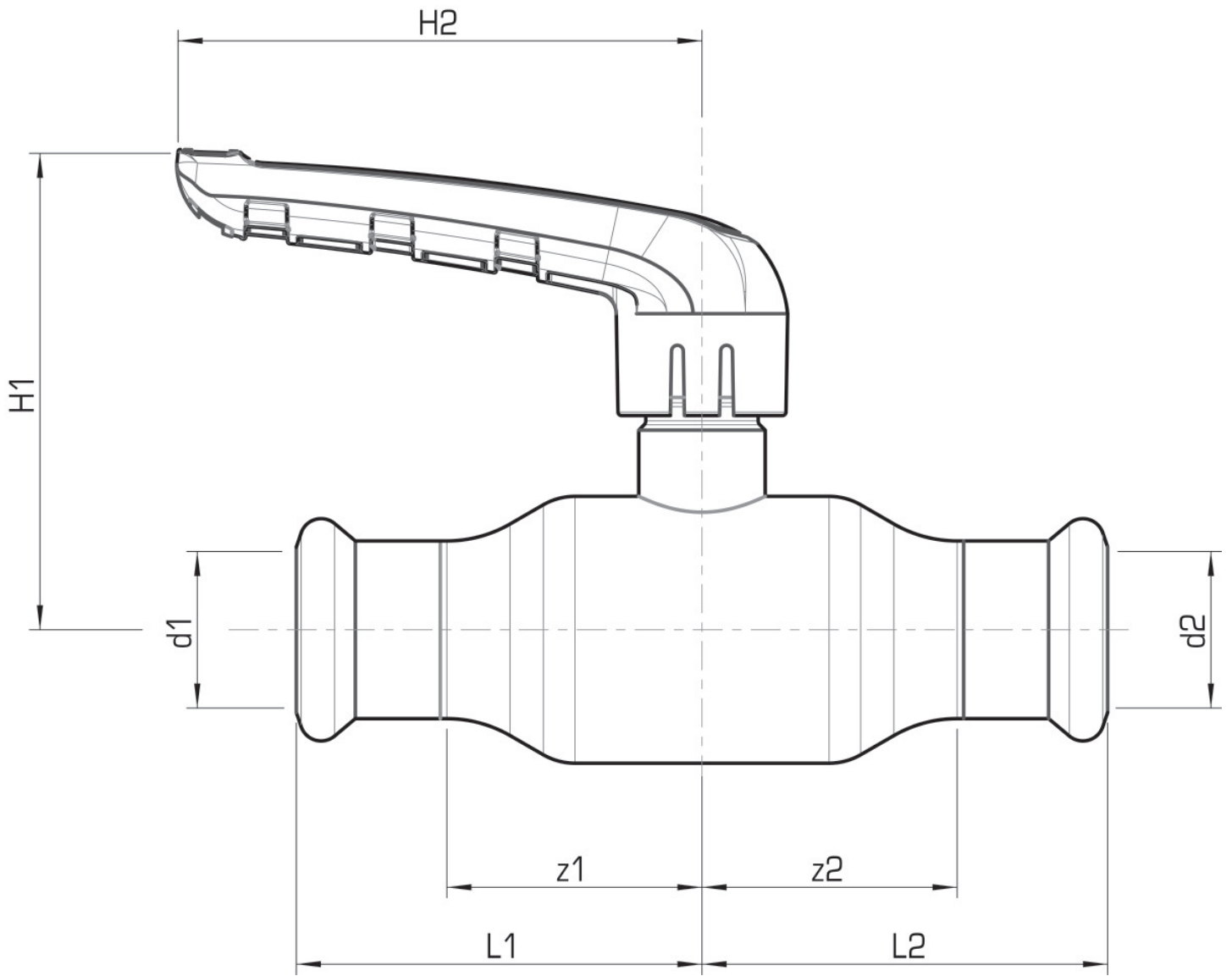
# Specifications

## Article information

port 1	Pressmuffe
port 2	Pressmuffe
execution	gerade

## Product information

VPE1	1,00 SA1
VPE2	5,00 KT1
weight	2,330 KGM
text	STEELFIX carbon steel press-fit ball valve
INTRNR	84818081
main material group	STEELFIX
material group	C-STAHL pressfittings
code	CP453



Art. No	label	d1 mm	d2 mm	L1 mm	L2 mm	z1 mm	z2 mm
54728HH0	54	54	54	113	113	78	78