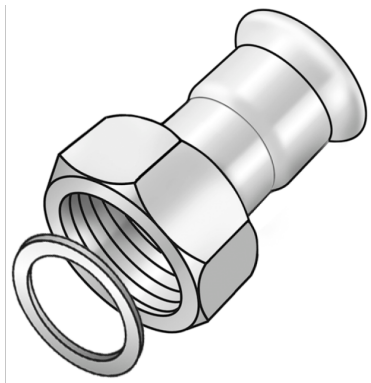


STEEL FIX C-STAHL

CP455 STEELFIX carbon steel press-fit screw fitting with female thread 54x2 3/8"

54703H11

Areas of application



Press-adapter female screw union to connect to fittings, made of carbon steel coated with a zinc layer, incl. EPDM sealing components, d15-54 "leak before pressed"

Press contour: M

Specifications

Article information

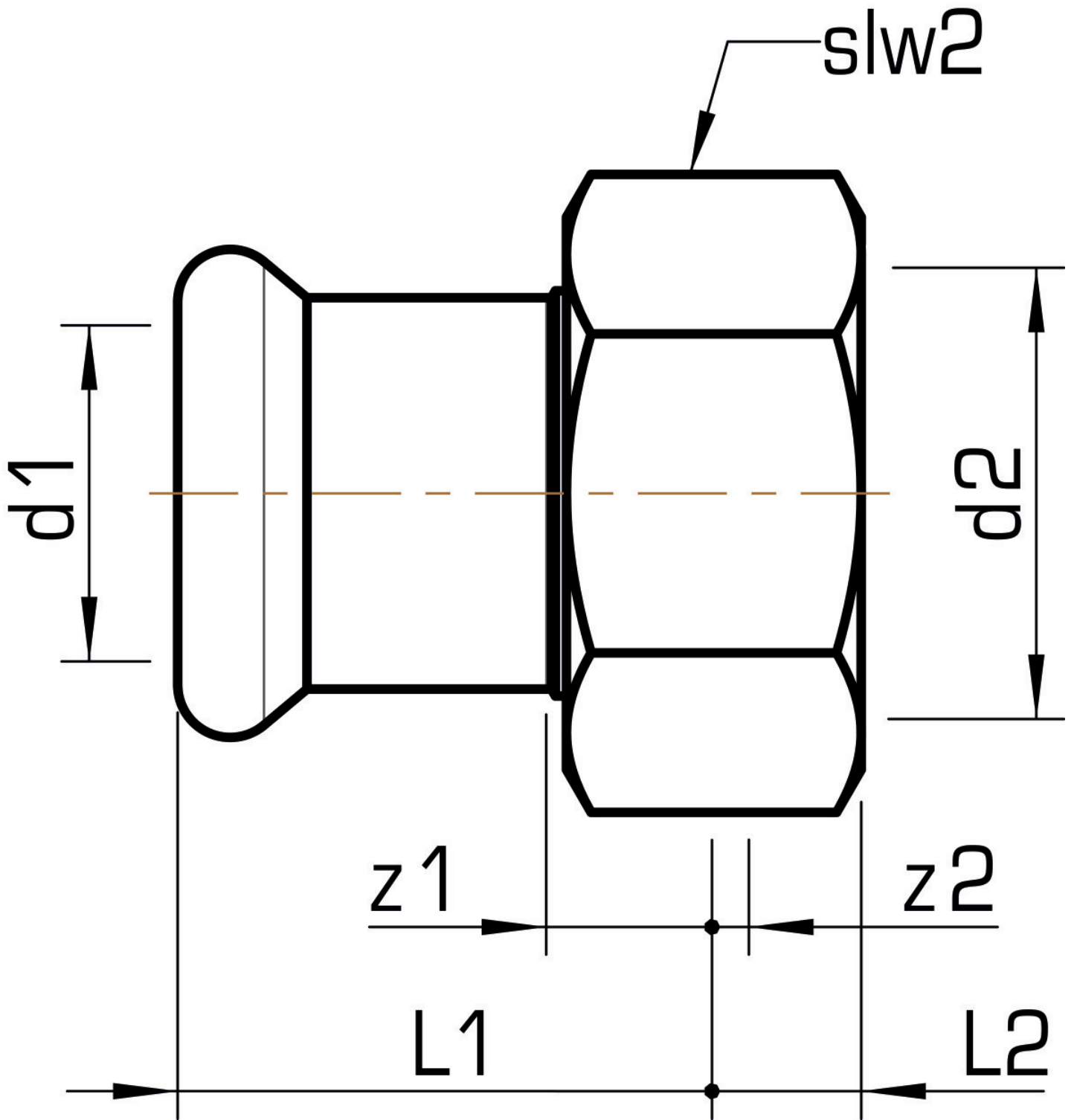
port 1	Pressmuffe
port 2	Innengewinde zylindrisch BSPT-Rp (ISO 7-1 / EN 10226-1)
execution	1-part
design	gerade
press contour	M

Technical properties

maximum working pressure at 20 ° C	16 bar
------------------------------------	--------

Product information

VPE1	4,00 SA1
VPE2	8,00 KT1
weight	0,432 KGM
text	STEELFIX carbon steel press-fit screw fitting with female thread
INTRNR	73079980
main material group	STEELFIX
material group	C-STAHl pressfittings
code	CP455



Art. No	label	d2 Inches	d1 mm	L1 mm	L2 mm	z1 mm	z2 mm	slw2 mm
54703H11	54x2 3/8"	2 3/8"	54	47	11	12	2	75



KE KELIT GmbH

A 4020 Linz, Ignaz-Mayer-Straße 17, Austria, Europe

PHONE +43 (0) 50 779 **E-MAIL** office@kekelit.com

www.kekelit.com