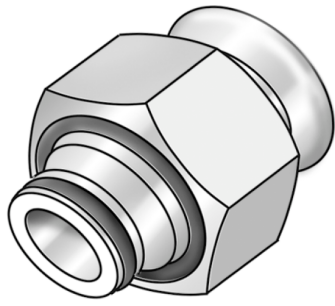


# STEEL FIX C-STAHL

CP456 STEELFIX carbon steel press-fit euro screw fitting 15x3/4"

54744B04

## Areas of application



Press-Euro screw fitting to connect installation components with 3/4" EURO CONE (male) conforming to DIN215 made of carbon steel coated with a zinc layer, incl. EPDM sealing components, "leak before pressed"

Press contour: M

# Specifications

## Article information

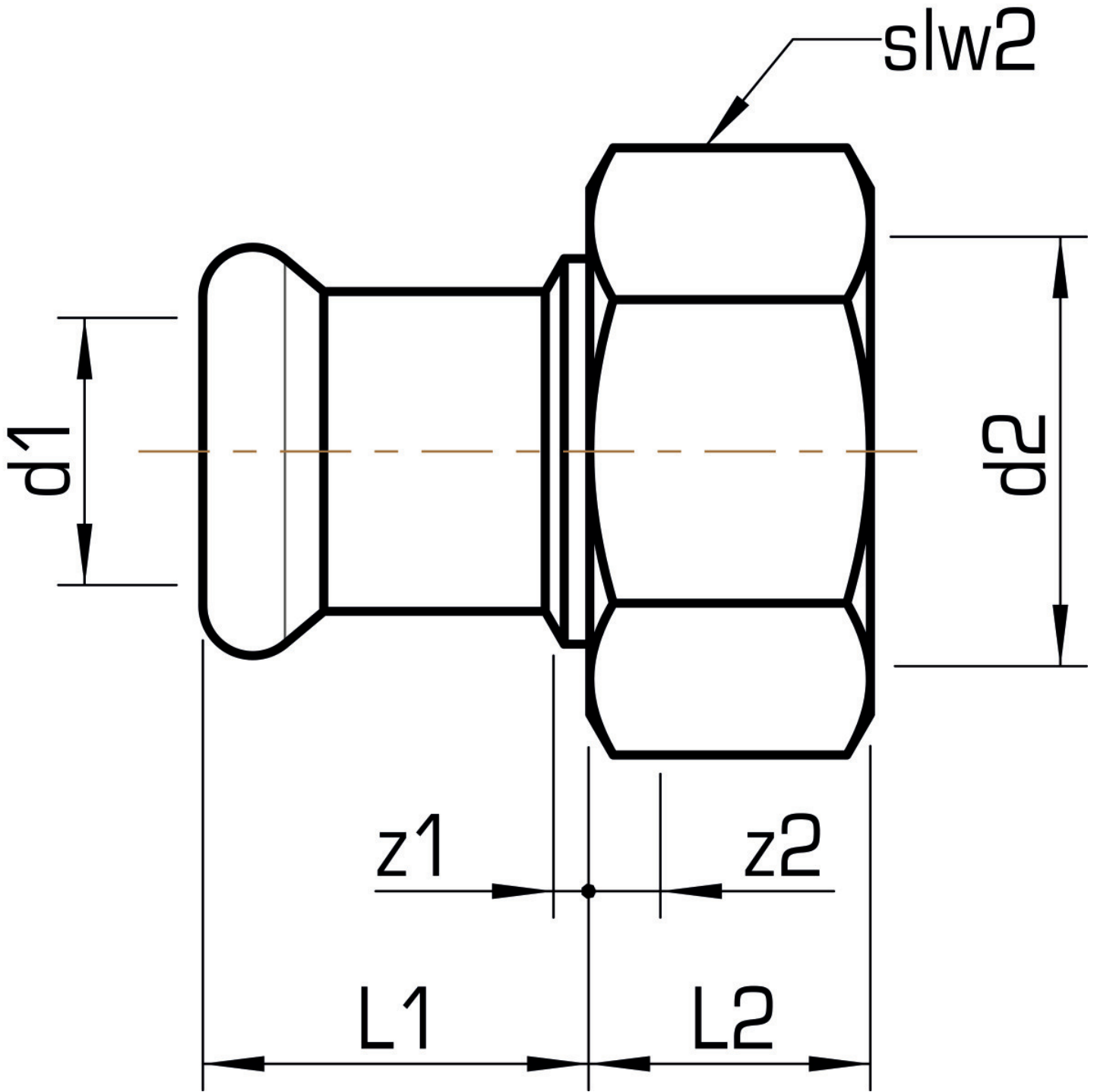
port 1	Pressmuffe
port 2	Eurokonus
execution	1-part
design	gerade
press contour	M

## Technical properties

maximum working pressure at 20 ° C	16 bar
------------------------------------	--------

## Product information

VPE1	10,00 SA1
VPE2	100,00 KT1
VPE3	2500,00 DDP
weight	0,112 KGM
text	STEELFIX carbon steel press-fit euro screw fitting
INTRNR	73079980
main material group	STEELFIX
material group	C-STAHL pressfittings
code	CP456



Art. No	label	d2 Inches	d1 mm	L1 mm	L2 mm	z1 mm	z2 mm	slw2 mm
54744B04	15x3/4"	3/4 Zoll (20)	15	22	16	2	4	30



**KE KELIT GmbH**

A 4020 Linz, Ignaz-Mayer-Straße 17, Austria, Europe

**PHONE** +43 (0) 50 779 **E-MAIL** office@kekelit.com

www.kekelit.com