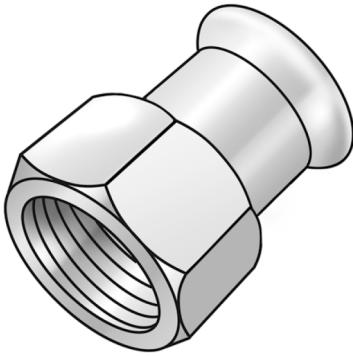


# STEEL FIX C-STAHL

CP457 STEELFIX carbon steel press-fit-adapter with female thread 54x2"

54706H09

## Areas of application



Press-adapter with female thread made of carbon steel coated with a zinc layer, incl. EPDM sealing elements, d15-54 "leak before pressed"

Press contour: M

# Specifications

## Article information

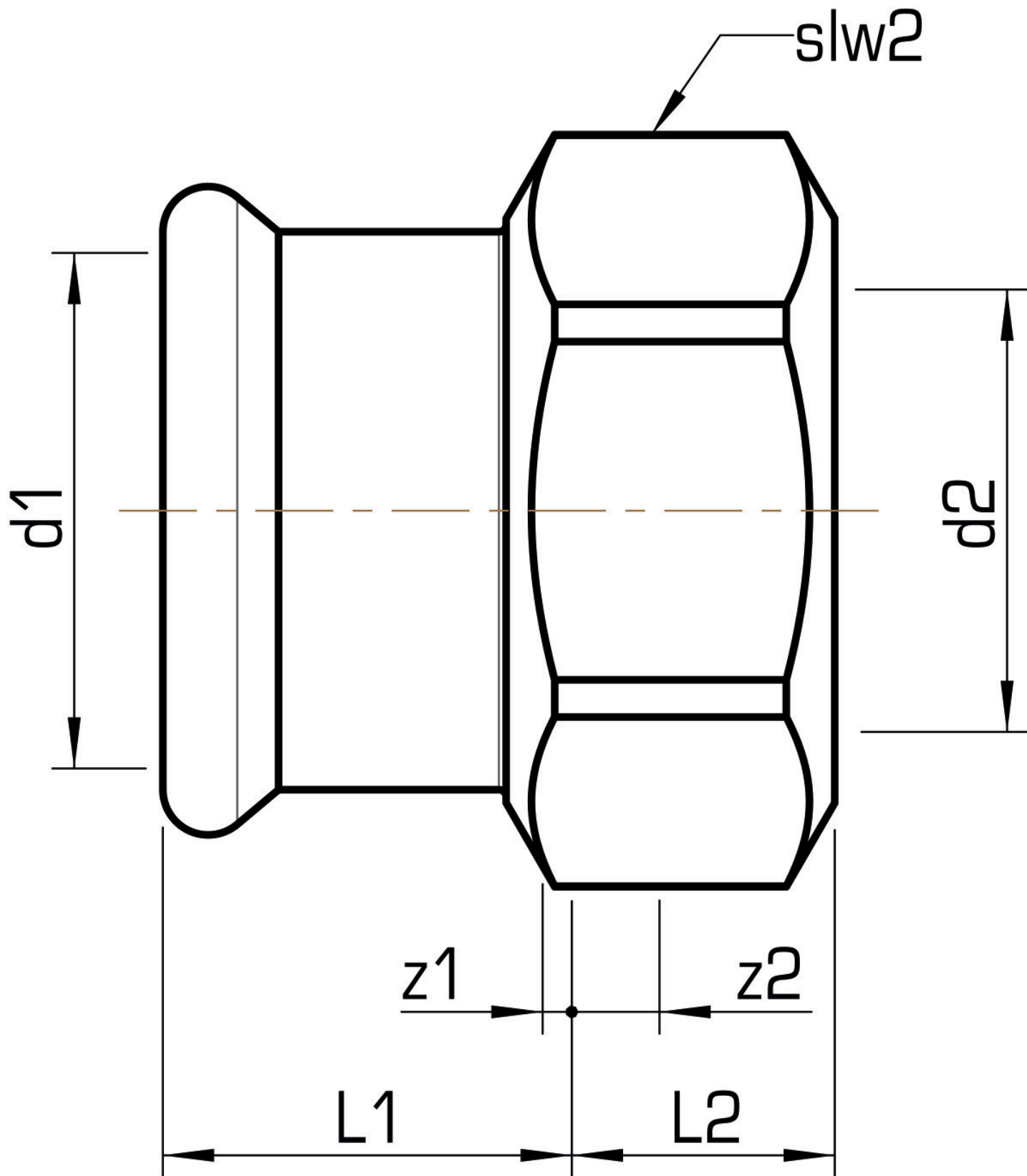
|               |   |
|---------------|---|
| port 1        | Pressmuffe  |
| port 2        | Innengewinde zylindrisch BSPT-Rp (ISO 7-1 / EN 10226-1) |
| execution     | 1-part  |
| design        | gerade  |
| press contour | M   |

## Technical properties

|                                    |        |
|------------------------------------|--------|
| maximum working pressure at 20 ° C | 16 bar |
|------------------------------------|--------|

## Product information

|                     |  |
|---------------------|--|
| VPE1                | 4,00 SA1   |
| VPE2                | 12,00 KT1  |
| VPE3                | 300,00 DDP   |
| weight              | 0,360 KGM  |
| text                | STEELFIX carbon steel press-fit-adapter with female thread |
| INTRNR              | 73079980   |
| main material group | STEELFIX   |
| material group      | C-STAHL pressfittings                                      |
| code                | CP457  |



| Art. No  | label | d2<br>Inches | d1 mm | L1 mm | L2 mm | z1 mm | z2 mm | slw2 mm |
|----------|-------|--------------|-------|-------|-------|-------|-------|---------|
| 54706H09 | 54x2" | 2"           | 54    | 37    | 26    | 2     | 6     | 67      |



**KE KELIT GmbH**

A 4020 Linz, Ignaz-Mayer-Straße 17, Austria, Europe

**PHONE** +43 (0) 50 779 **E-MAIL** [office@kekelit.com](mailto:office@kekelit.com)

[www.kekelit.com](http://www.kekelit.com)