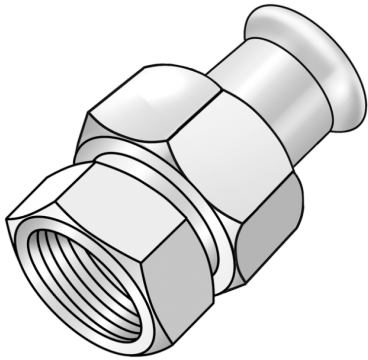


# STEEL FIX C-STAHL

CP466 STEELFIX carbon steel press-fit union with female thread 15x1/2"

54742B02

## Areas of application



Press-fit union with female thread conforming to EN 10226-1 made of carbon steel coated with a zinc layer, incl. EPDM sealing elements, d15-54 "leak before pressed"

Press contour: M

# Specifications

## Article information

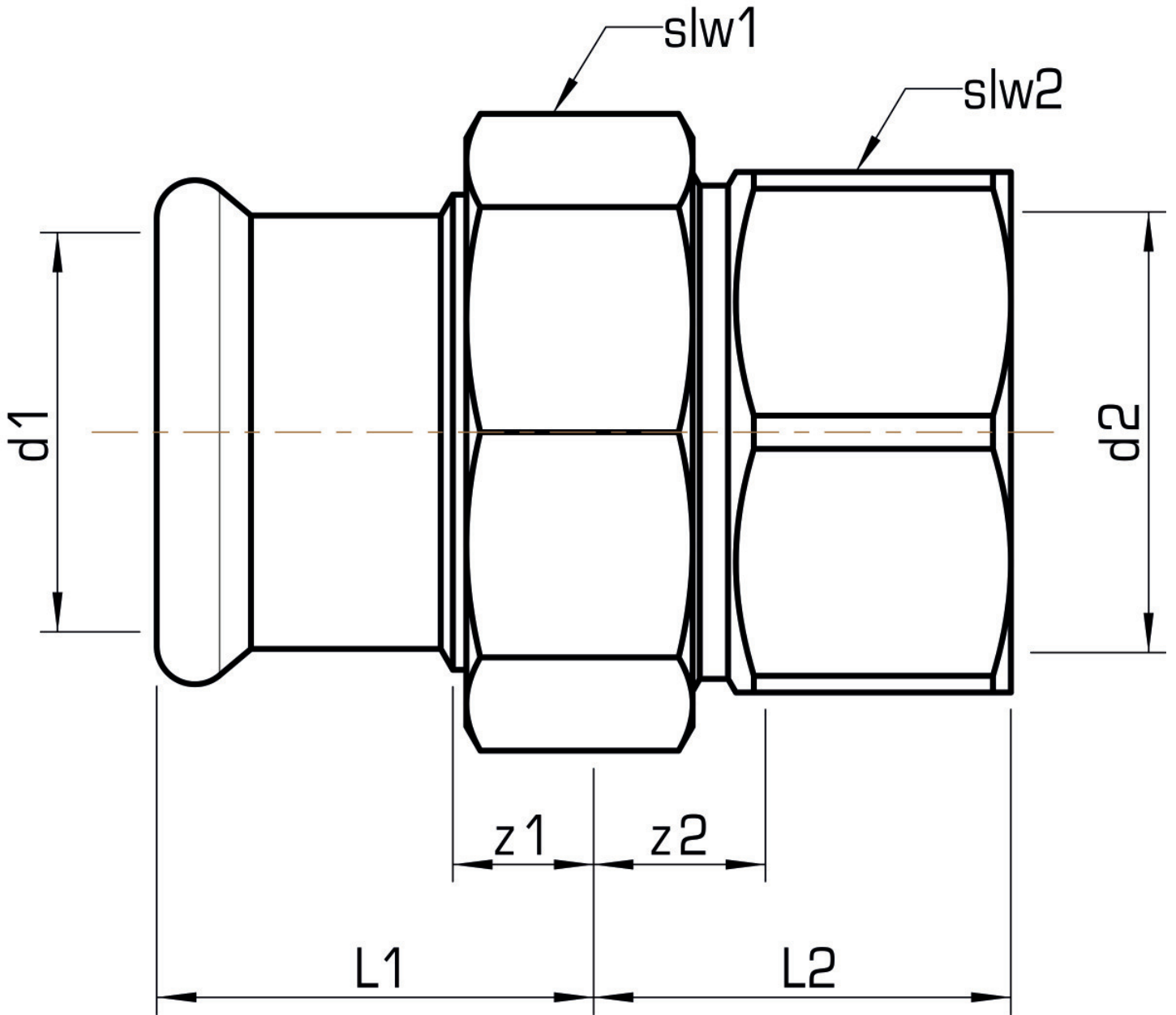
|               |   |
|---------------|---|
| port 1        | Pressmuffe  |
| port 2        | Innengewinde zylindrisch BSPT-Rp (ISO 7-1 / EN 10226-1) |
| execution     | 1-part  |
| design        | gerade  |
| press contour | M   |

## Technical properties

|                                    |        |
|------------------------------------|--------|
| maximum working pressure at 20 ° C | 16 bar |
|------------------------------------|--------|

## Product information

|                     |  |
|---------------------|--|
| VPE1                | 2,00 SA1   |
| VPE2                | 50,00 KT1  |
| weight              | 0,140 KGM  |
| text                | STEELFIX carbon steel press-fit union with female thread |
| INTRNR              | 73079980   |
| main material group | STEELFIX   |
| material group      | C-STAHL pressfittings                                    |
| code                | CP466  |



| Art. No  | label   | d2<br>Inches | d1 mm | L1 mm | L2 mm | z1 mm | z2 mm | slw1<br>mm | slw2<br>mm |
|----------|---------|--------------|-------|-------|-------|-------|-------|------------|------------|
| 54742B02 | 15x1/2" | 1/2" (15)    | 15    | 31    | 27,5  | 11    | 11,5  | 30         | 27         |