

# STEEL FIX C-STAHL

CP467 STEELFIX carbon steel press-fit-adapter elbow 90° with female thread 28x3/4"

54716E04

## Areas of application



Press-elbow adapter 90° with female thread made of carbon steel coated with a zinc layer, incl. EPDM sealing components, d15-54 "leak before pressed"

Press contour: M

# Specifications

## Article information

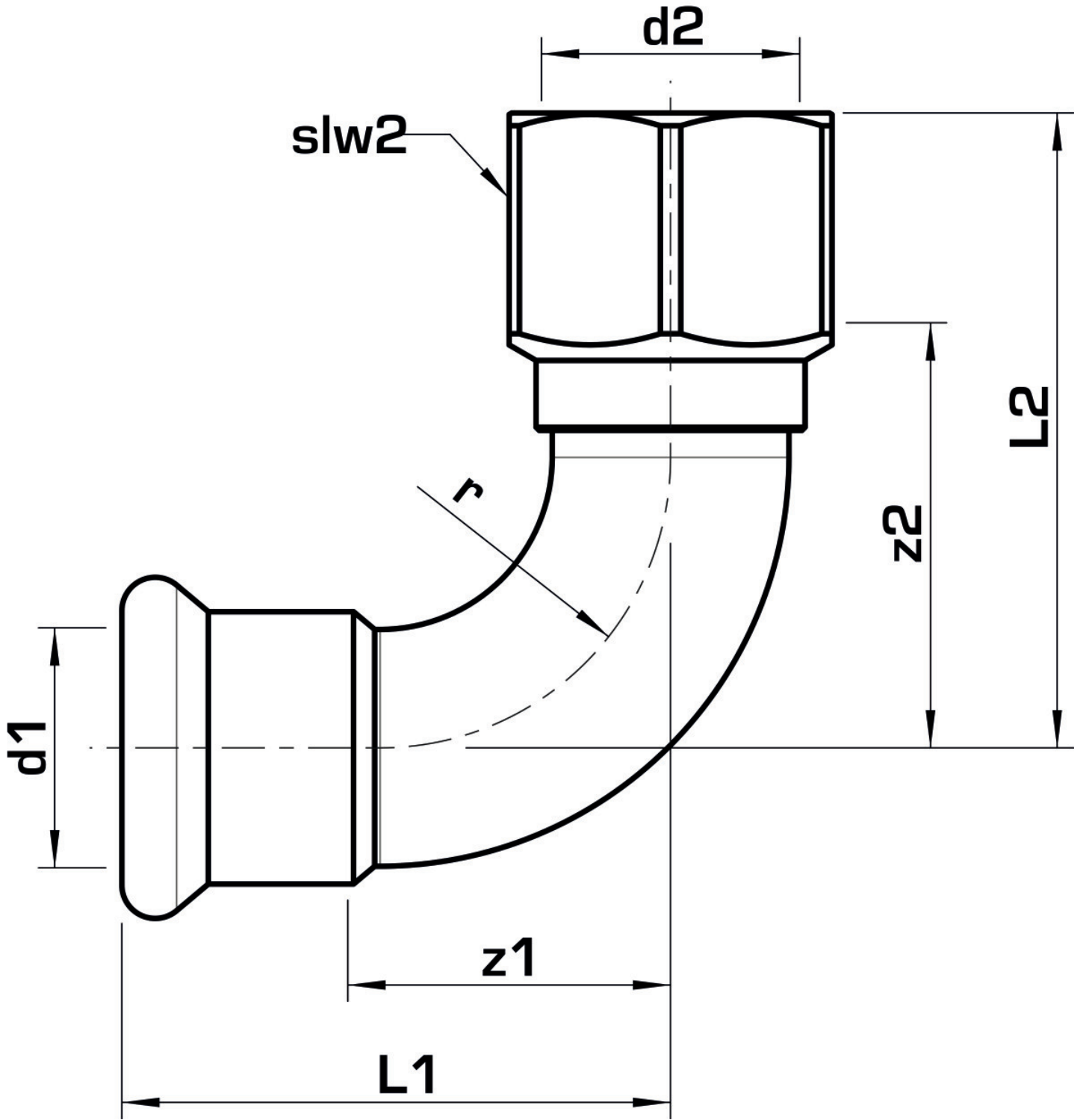
port 1	Pressmuffe
port 2	Innengewinde zylindrisch BSPT-Rp (ISO 7-1 / EN 10226-1)
execution	1-part
design	Bogen
angle	90 °
press contour	M

## Technical properties

maximum working pressure at 20 ° C	16 bar
------------------------------------	--------

## Product information

VPE1	5,00 SA1
VPE2	30,00 KT1
VPE3	750,00 DDP
weight	0,175 KGM
text	STEELFIX carbon steel press-fit-adapter elbow 90° with female thread
INTRNR	73079980
main material group	STEELFIX
material group	C-STAHl pressfittings
code	CP467



Art. No	label	d2 Inches	d1 mm	L1 mm	L2 mm	z1 mm	z2 mm	slw2 mm
54716E04	28x3/4"	3/4 Zoll (20)	28	60	65	37	44	32



**KE KELIT GmbH**

A 4020 Linz, Ignaz-Mayer-Straße 17, Austria, Europe

**PHONE** +43 (0) 50 779 **E-MAIL** [office@kekelit.com](mailto:office@kekelit.com)

[www.kekelit.com](http://www.kekelit.com)