

STEEL FIX C-STAHl

CP471 STEELFIX carbon steel press-fit cap 22

54735D00

Areas of application



Press-fit cap made of carbon steel coated with a zinc layer, incl. EPDM sealing elements, d15-54
"leak before pressed"

Press contour: M

Specifications

Article information

port 1 Pressmuffe

press contour M

Product information

VPE1 10,00 SA1

VPE2 150,00 KT1

VPE3 3750,00 DDP

weight 0,030 KGM

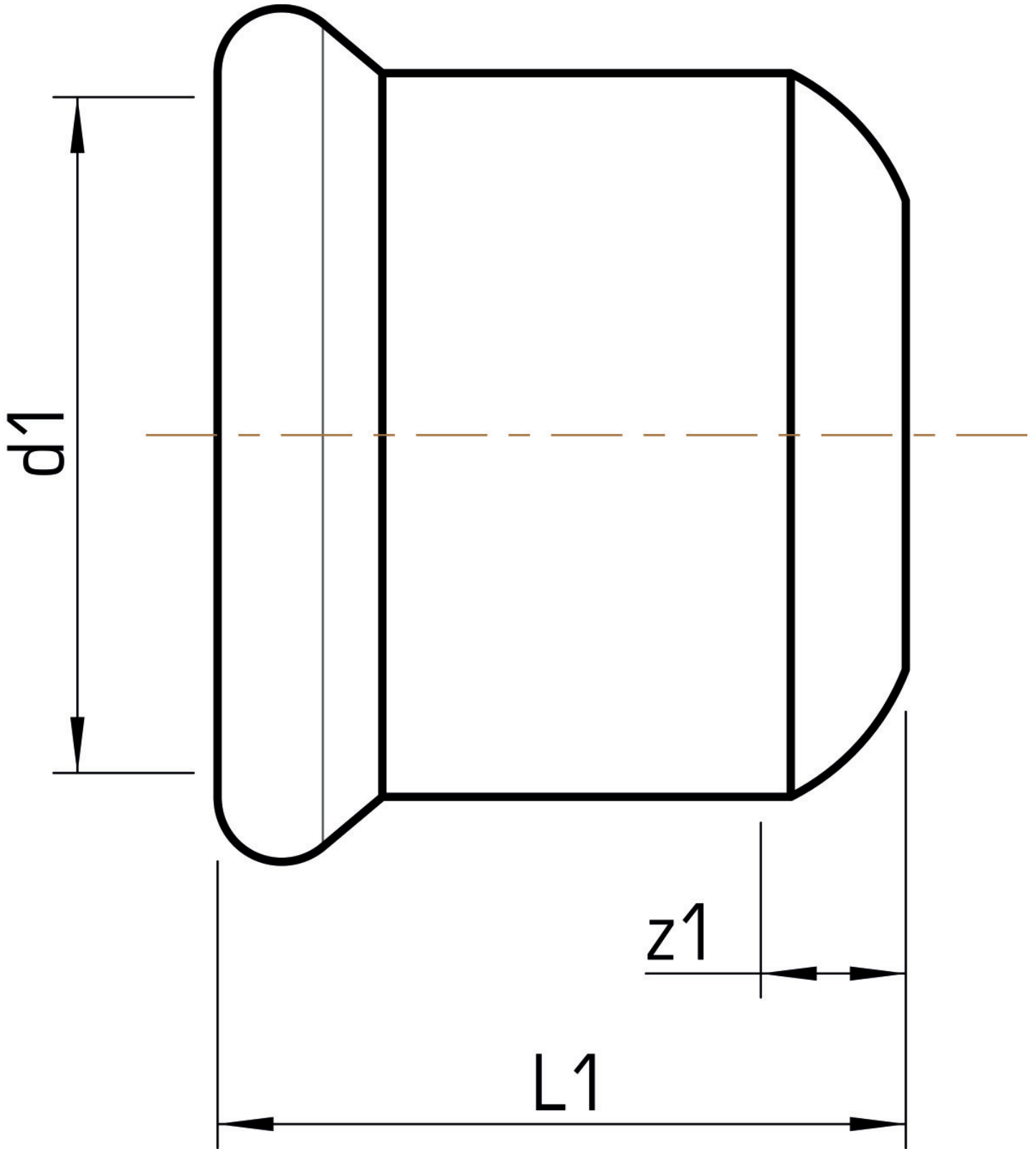
text STEELFIX carbon steel press-fit cap

INTRNR 73079980

main material group STEELFIX

material group C-STAHL pressfittings

code CP471



Art. No	label	d1 mm	L1 mm	z1 mm
54735D00	22	22	28,5	7,5



KE KELIT GmbH

A 4020 Linz, Ignaz-Mayer-Straße 17, Austria, Europe

PHONE +43 (0) 50 779 **E-MAIL** office@kekelit.com

www.kekelit.com