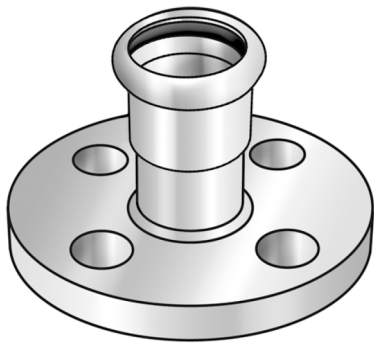


STEEL FIX C-STAHL

CP487 STEELFIX carbon steel press-fit-adapter flange PN6 89-DN80 4-hole

54753K00

Areas of application



Press-adapter flange, flat-sealing made of carbon steel coated with a zinc layer, incl. EPDM sealing elements, depending on the size with flat or grooved sealing surface, d15-54 "leak before pressed"
Hole circle dimensioning conforming to DIN 2501-PN6

Press contour: M

Specifications

Article information

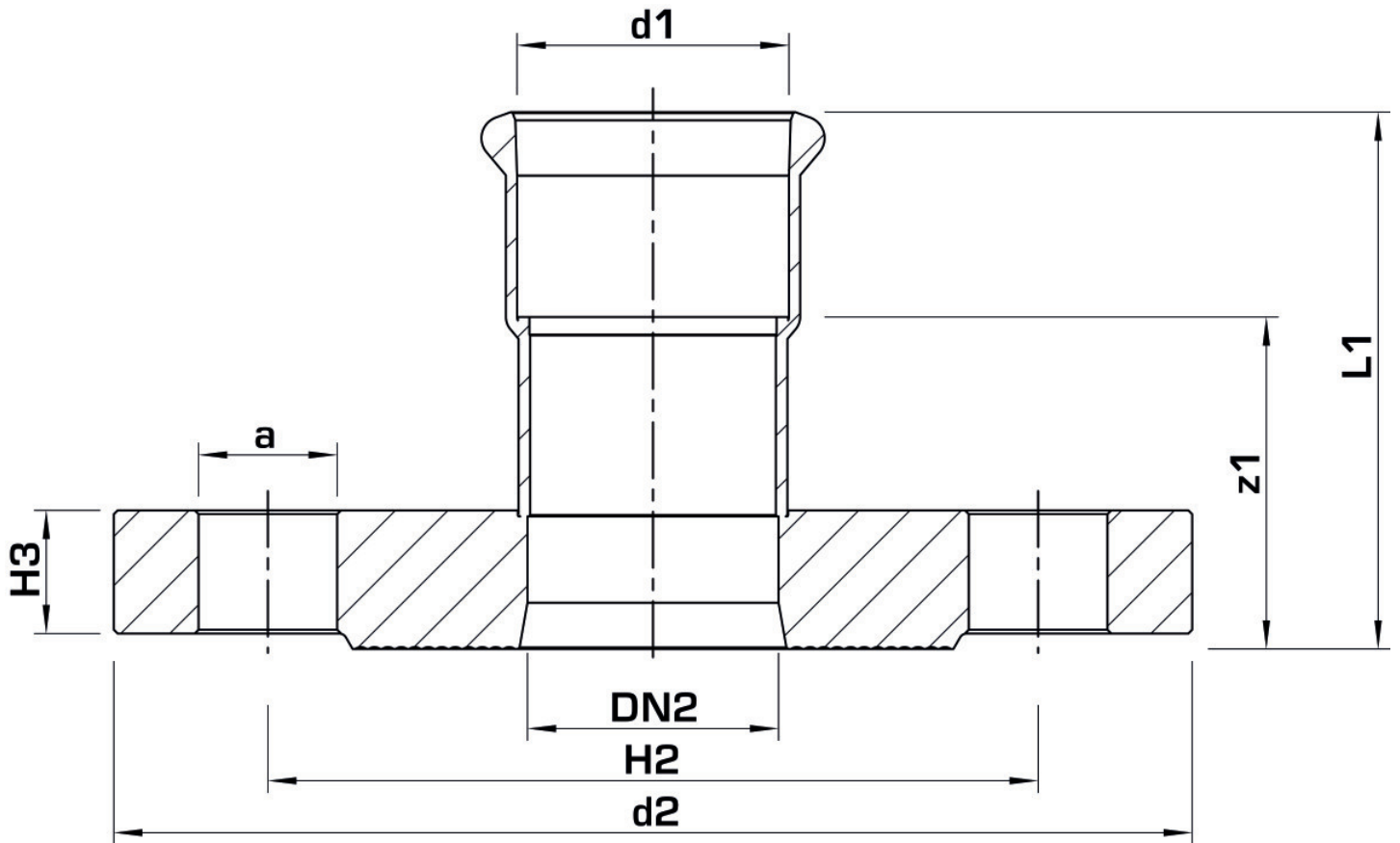
| | |
|---------------|------------|
| port 1 | Pressmuffe |
| port 2 | Flansch |
| execution | 1-part |
| design | gerade |
| press contour | M |

Technical properties

| | |
|----|-------|
| PN | PN 16 |
|----|-------|

Product information

| | |
|---------------------|--|
| VPE1 | 1,00 SA1 |
| VPE2 | 8,00 KT1 |
| weight | 4,360 KGM |
| text | STEELFIX carbon steel press-fit-adapter flange PN6 |
| INTRNR | 73079980 |
| main material group | STEELFIX |
| material group | C-STAHl pressfittings |
| code | CP487 |



| Art. No | label | d2 | d1 mm | L1 mm | z1 mm | pitch circle diameter mm |
|----------|----------------|-------|-------|-------|-------|--------------------------|
| 54753K00 | 89-DN80 4-hole | DN 80 | 88,9 | 143 | 80 | 150 |