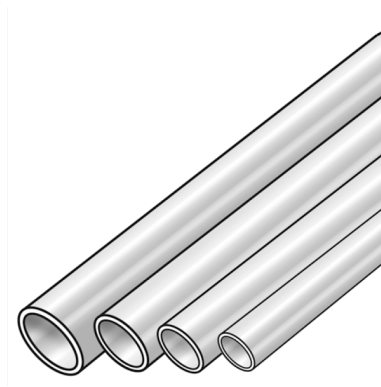


STEEL FIX EDELSTAHL

NF100 STEELFIX stainless steel pipe 1.4401
28x1.2

53001E00

Areas of application



Thin-walled, longitudinally welded stainless steel pipes 1.4401 according to EN 10088, EN 10312 and EN 10217-7 outside and inside bare metal

Rod length: 6m

Application areas:

Drinking water installations, grey and rain water, sprinkler systems, fire-extinguishing pipelines wet and dry systems

d15 - 108 mm - 35°C to 120°C - tmax 150°C/16 bar - briefly

Compressed air systems (in conjunction with press fittings ONLY):



KE KELIT GmbH

A 4020 Linz, Ignaz-Mayer-Straße 17, Austria, Europe

PHONE +43 (0) 50 779 E-MAIL office@kekelit.com

www.kekelit.com

d15 - 54 mm - max. 16 bar

d76 - 108 mm - max. 10 bar

Approvals:



Specifications

Article information

port 1 Rohrende

Technical properties

pipe weight 0,79 kg/m

pipe contents 0,515 l/m

PN PN 16

Product information

VPE1 222,00 BND

L 6 m

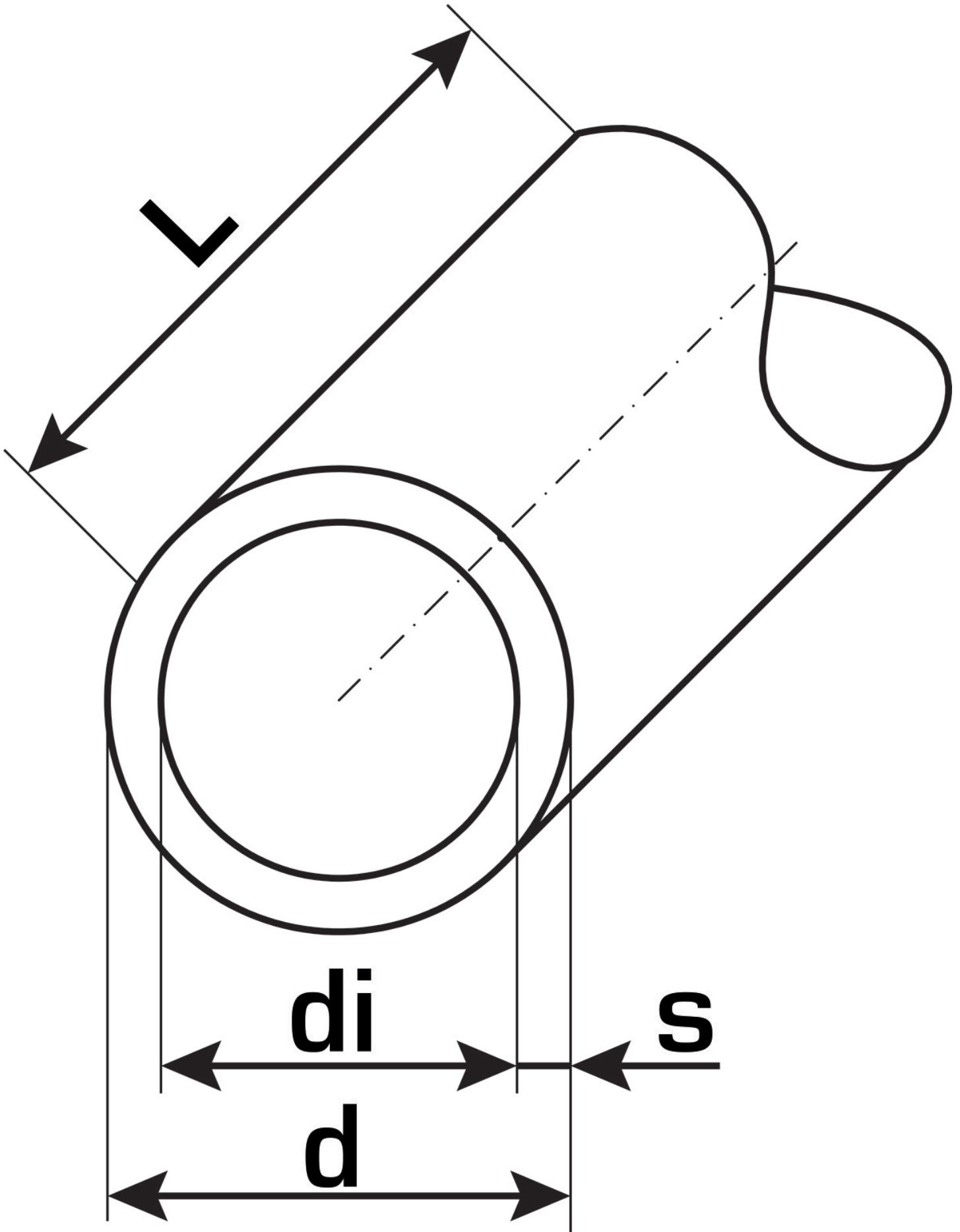
weight 0,800 KGM

text STEELFIX stainless steel pipe 1.4401

INTRNR 73064020

material group EDELSTAHL pipes

code NF100



Art. No	label	d1 mm	pipe contents l/m	s mm
53001E00	28x1.2	28	0,515	1,2



KE KELIT GmbH

A 4020 Linz, Ignaz-Mayer-Straße 17, Austria, Europe

PHONE +43 (0) 50 779 **E-MAIL** office@kekelit.com

www.kekelit.com