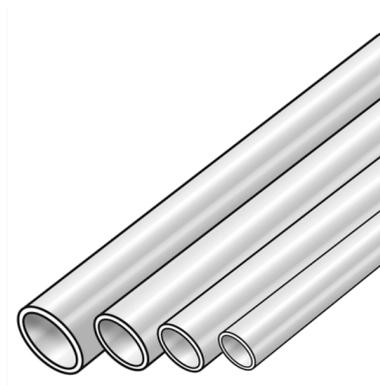


STEEL FIX EDELSTAHL

NF110 STEELFIX stainless steel pipe 1.4521 - nickel-free 35x1.5

53011F00

Areas of application



Thin-walled, longitudinally welded nickel-free stainless steel pipes 1.4521 according to EN 10088, EN 10296-2 outside and inside metallic bright

Application area: Drinking water installations, service water and rain water

d15 - 54 mm - max. 16 bar

Operating temperature: - 35°C to 120°C - tmax 150°C/16 bar - briefly

Rod length: 6m

Approvals:



Specifications

Article information

port 1 Rohrende

Technical properties

pipe weight 1,24 kg/m

pipe contents 0,804 l/m

PN PN 16

Product information

VPE1 222,00 BND

L 6 m

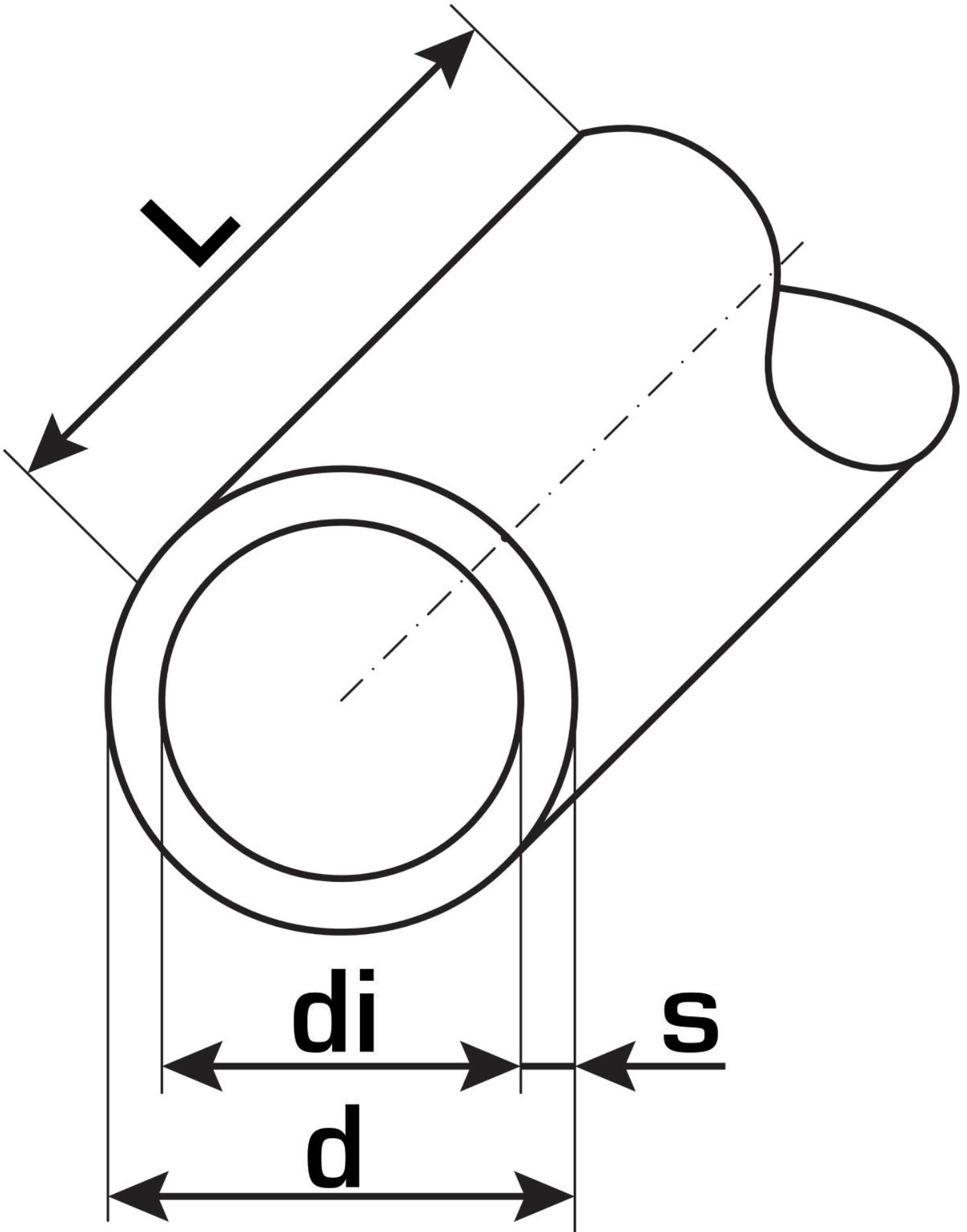
weight 1,260 KGM

text STEELFIX stainless steel pipe 1.4521 - nickel-free

INTRNR 73064020

material group EDELSTAHL pipes

code NF110



Art. No	label	d1 mm	pipe contents l/m	s mm
53011F00	35x1.5	35	0,804	1,5



KE KELIT GmbH

A 4020 Linz, Ignaz-Mayer-Straße 17, Austria, Europe

PHONE +43 (0) 50 779 **E-MAIL** office@kekelit.com

www.kekelit.com