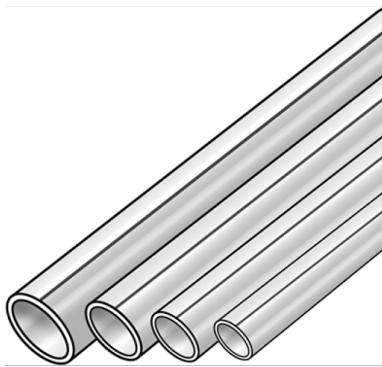


# STEEL FIX EDELSTAHL

NF130 STEELFIX stainless steel pipe 1.4301  
15x1.0

53031B00

## Areas of application



Thin-walled, longitudinally welded 1.4301 stainless steel pipes according to EN 10088, EN 10312 and EN 10217-7 outside and inside bare metal

Rod length: 6m

Areas of application:

Heating or cooling water systems (only in connection with stainless steel fittings):

if necessary, observe corrosion protection measures!

d15 - 108 mm - 35°C to 120°C - tmax 150°C/16 bar - briefly

Compressed air systems (in conjunction with press fittings ONLY):

d15 - 54 mm - max. 16 bar

d76 - 108 mm - max. 10 bar

ATTENTION: NOT suitable for drinking water!



**KE KELIT GmbH**

A 4020 Linz, Ignaz-Mayer-Straße 17, Austria, Europe

**PHONE** +43 (0) 50 779 **E-MAIL** [office@kekelit.com](mailto:office@kekelit.com)

[www.kekelit.com](http://www.kekelit.com)

# Specifications

## Article information

port 1 Rohrende

## Technical properties

pipe weight 0,33 kg/m

pipe contents 0,133 l/m

PN PN 16

## Product information

VPE1 762,00 BND

L 6 m

weight 0,350 KGM

text STEELFIX stainless steel pipe 1.4301

INTRNR 73064020

material group EDELSTAHL pipes

code NF130



Art. No	label	d1 mm	pipe contents l/m	s mm
53031B00	15x1.0	15	0,133	1



**KE KELIT GmbH**

A 4020 Linz, Ignaz-Mayer-Straße 17, Austria, Europe

**PHONE** +43 (0) 50 779 **E-MAIL** [office@kekelit.com](mailto:office@kekelit.com)

[www.kekelit.com](http://www.kekelit.com)