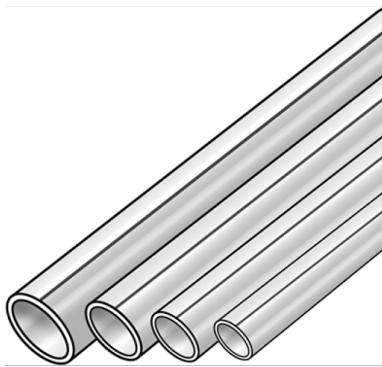


STEEL FIX EDELSTAHL

NF130 STEELFIX stainless steel pipe 1.4301
42x1.5

53031G00

Areas of application



Thin-walled, longitudinally welded 1.4301 stainless steel pipes according to EN 10088, EN 10312 and EN 10217-7 outside and inside bare metal

Rod length: 6m

Areas of application:

Heating or cooling water systems (only in connection with stainless steel fittings):

if necessary, observe corrosion protection measures!

d15 - 108 mm - 35°C to 120°C - tmax 150°C/16 bar - briefly

Compressed air systems (in conjunction with press fittings ONLY):



KE KELIT GmbH

A 4020 Linz, Ignaz-Mayer-Straße 17, Austria, Europe

PHONE +43 (0) 50 779 E-MAIL office@kekelit.com

www.kekelit.com

d15 - 54 mm - max. 16 bar

d76 - 108 mm - max. 10 bar

ATTENTION: NOT suitable for drinking water!



KE KELIT GmbH

A 4020 Linz, Ignaz-Mayer-Straße 17, Austria, Europe

PHONE +43 (0) 50 779 **E-MAIL** office@kekelit.com

www.kekelit.com

Specifications

Article information

port 1 Rohrende

Technical properties

pipe weight 1,50 kg/m

pipe contents 1,195 l/m

PN PN 16

Product information

VPE1 114,00 BND

L 6 m

weight 1,530 KGM

text STEELFIX stainless steel pipe 1.4301

INTRNR 73064020

material group EDELSTAHL pipes

code NF130



Art. No	label	d1 mm	pipe contents l/m	s mm
53031G00	42x1.5	42	1,195	1,5



KE KELIT GmbH

A 4020 Linz, Ignaz-Mayer-Straße 17, Austria, Europe

PHONE +43 (0) 50 779 **E-MAIL** office@kekelit.com

www.kekelit.com