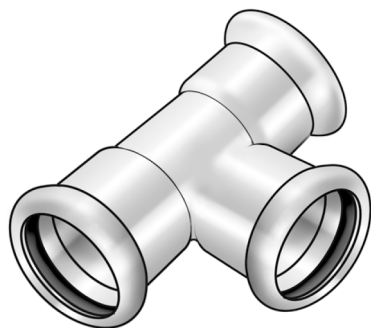


STEEL FIX EDELSTAHL

NP440 STEELFIX stainless steel press-fit-tee
89/76/89

53630KJK

Areas of application



Press-tee equal or reduced made of stainless steel 1.4404, incl. EPDM sealing elements, d15-54

"leak before pressed"

Press contour: M

Approvals:



KE KELIT GmbH

A 4020 Linz, Ignaz-Mayer-Straße 17, Austria, Europe

PHONE +43 (0) 50 779 E-MAIL office@kekelit.com

www.kekelit.com

Specifications

Article information

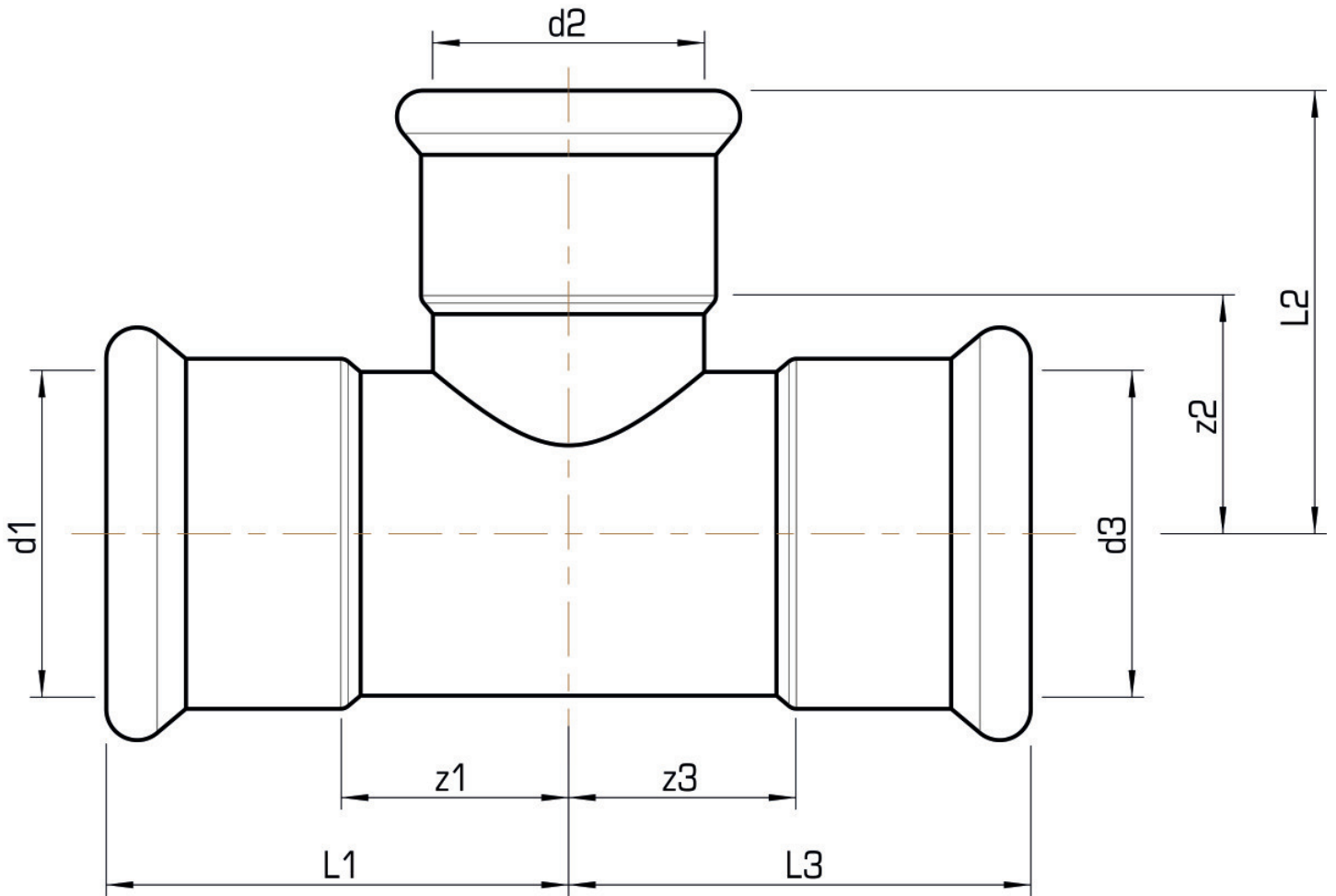
port 1	Pressmuffe
port 2	Pressmuffe
port 3	Pressmuffe
execution	T-Stück
press contour	M

Technical properties

maximum working pressure at 20 ° C	16 bar
------------------------------------	--------

Product information

VPE1	2,00 SA1
VPE2	8,00 KT1
weight	1,570 KGM
text	STEELFIX stainless steel press-fit-tee
INTRNR	73072980
material group	EDELSTAHL pressfittings
code	NP440



Art. No	label	d1 mm	d2 mm	d3 mm	L1 mm	L2 mm	L3 mm	z1 mm	z2 mm	z3 mm
53630KJK	89/76/89	89	76	89	131	116	131	68	61	68