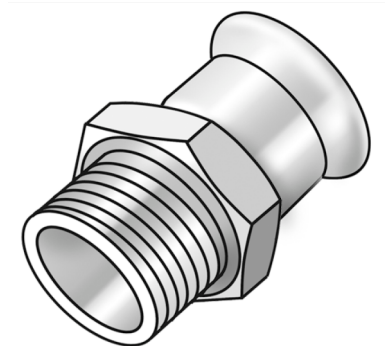


# STEEL FIX EDELSTAHL

NP450 STEELFIX stainless steel press-fit-adapter with male thread 22x1"

53702D05

## Areas of application



Press-adapter with male thread conforming to EN 10226-1 made of stainless steel 1.4404, incl. EPDM sealing elements, d15-54 "leak before pressed"

Press contour: M

## Approvals:



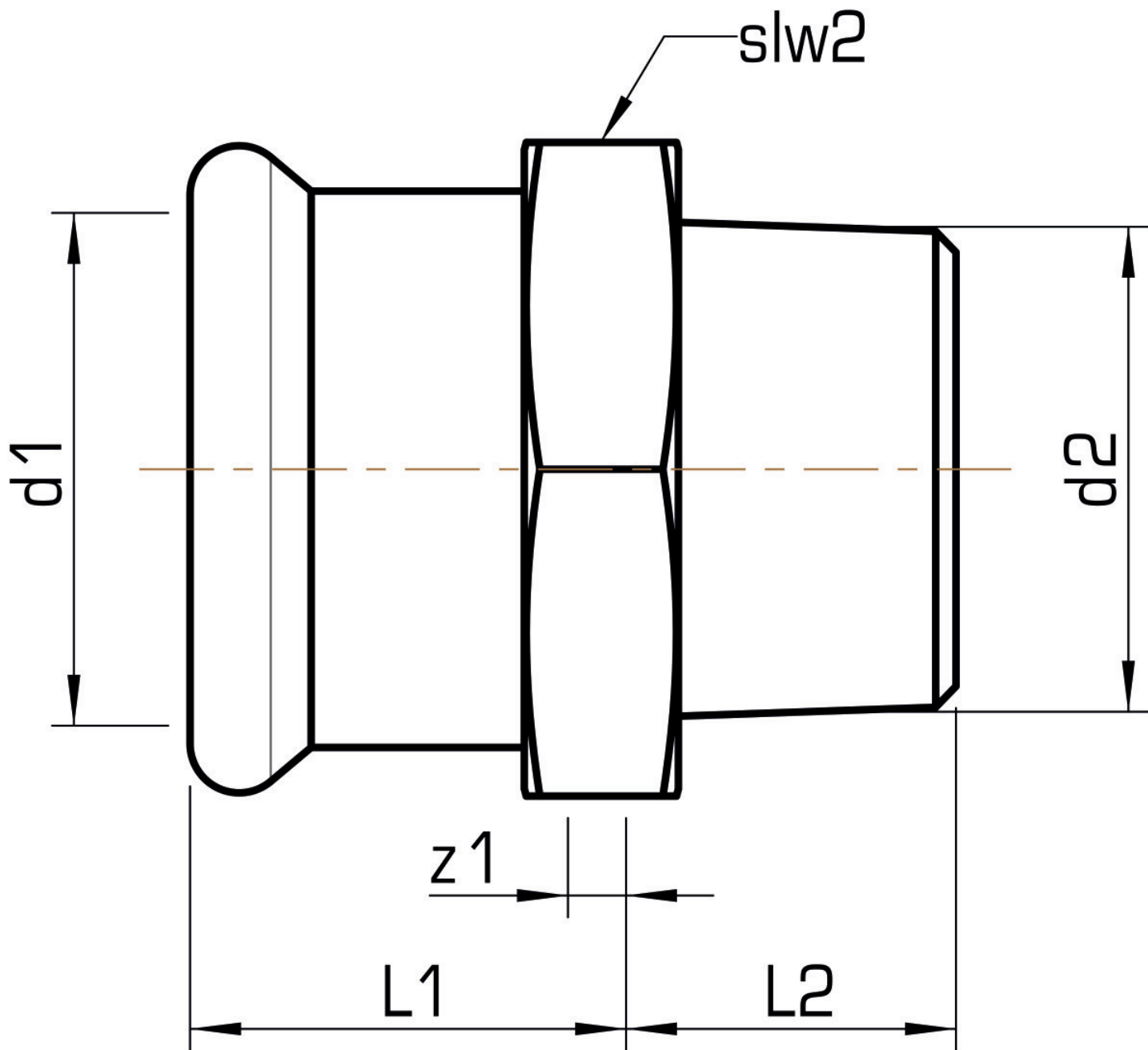
# Specifications

## Article information

port 1	Pressmuffe
port 2	Außengewinde konisch BSPT-R (ISO 7-1 / EN 10226-1)
execution	1-part
design	gerade
press contour	M

## Product information

VPE1	10,00 SA1
VPE2	60,00 KT1
VPE3	1500,00 DDP
weight	0,149 KGM
text	STEELFIX stainless steel press-fit-adapter with male thread
INTRNR	73072980
material group	EDELSTAHL pressfittings
code	NP450



Art. No	label	d2 Inches	d1 mm	L1 mm	L2 mm	z1 mm	slw2 mm
53702D05	22x1"	1"	22	25	23,5	4	34