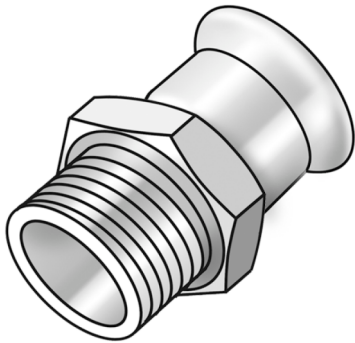


STEEL FIX EDELSTAHL

NP450 STEELFIX stainless steel press-fit-adapter with male thread 28x5/4"

53702E06

Areas of application



Press-adapter with male thread conforming to EN 10226-1 made of stainless steel 1.4404, incl. EPDM sealing elements, d15-54 "leak before pressed"

Press contour: M

Approvals:



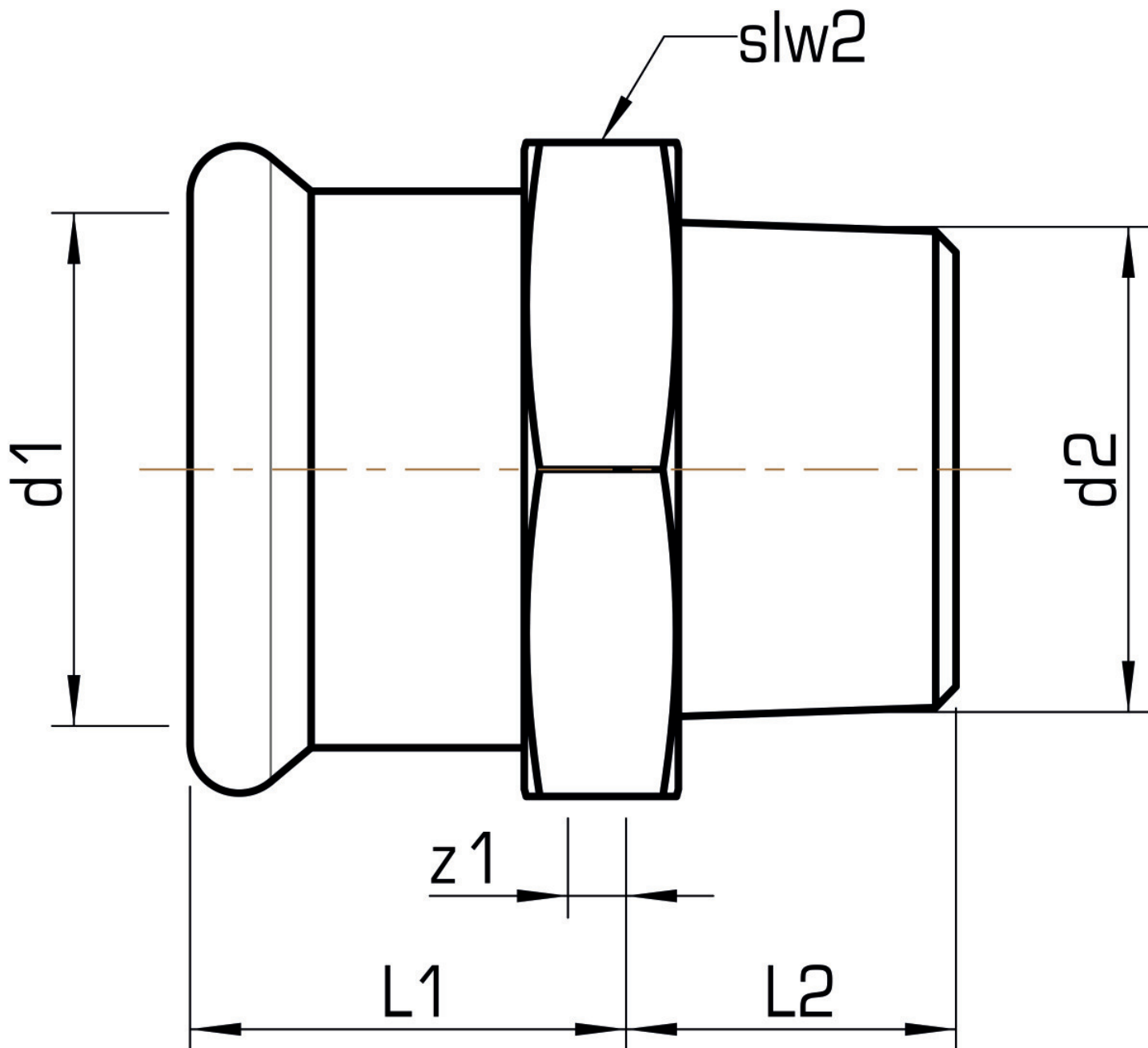
Specifications

Article information

port 1	Pressmuffe
port 2	Außengewinde konisch BSPT-R (ISO 7-1 / EN 10226-1)
execution	1-part
design	gerade
press contour	M

Product information

VPE1	10,00 SA1
VPE2	30,00 KT1
VPE3	750,00 DDP
weight	0,198 KGM
text	STEELFIX stainless steel press-fit-adapter with male thread
INTRNR	73072980
material group	EDELSTAHL pressfittings
code	NP450



Art. No	label	d2 Inches	d1 mm	L1 mm	L2 mm	z1 mm	slw2 mm
53702E06	28x5/4"	1 1/4"	28	27	24,5	4	43