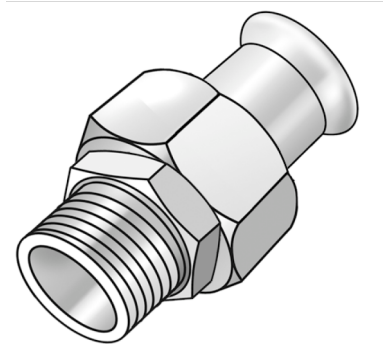


STEEL FIX EDELSTAHL

NP451 STEELFIX stainless steel press-fit union with male thread 22x1"

53741D05

Areas of application



Press-union with male thread conforming to EN 10226-1 made of stainless steel 1.4404, incl. EPDM sealing elements, d15-54 "leak before pressed"

Press contour: M

Approvals:



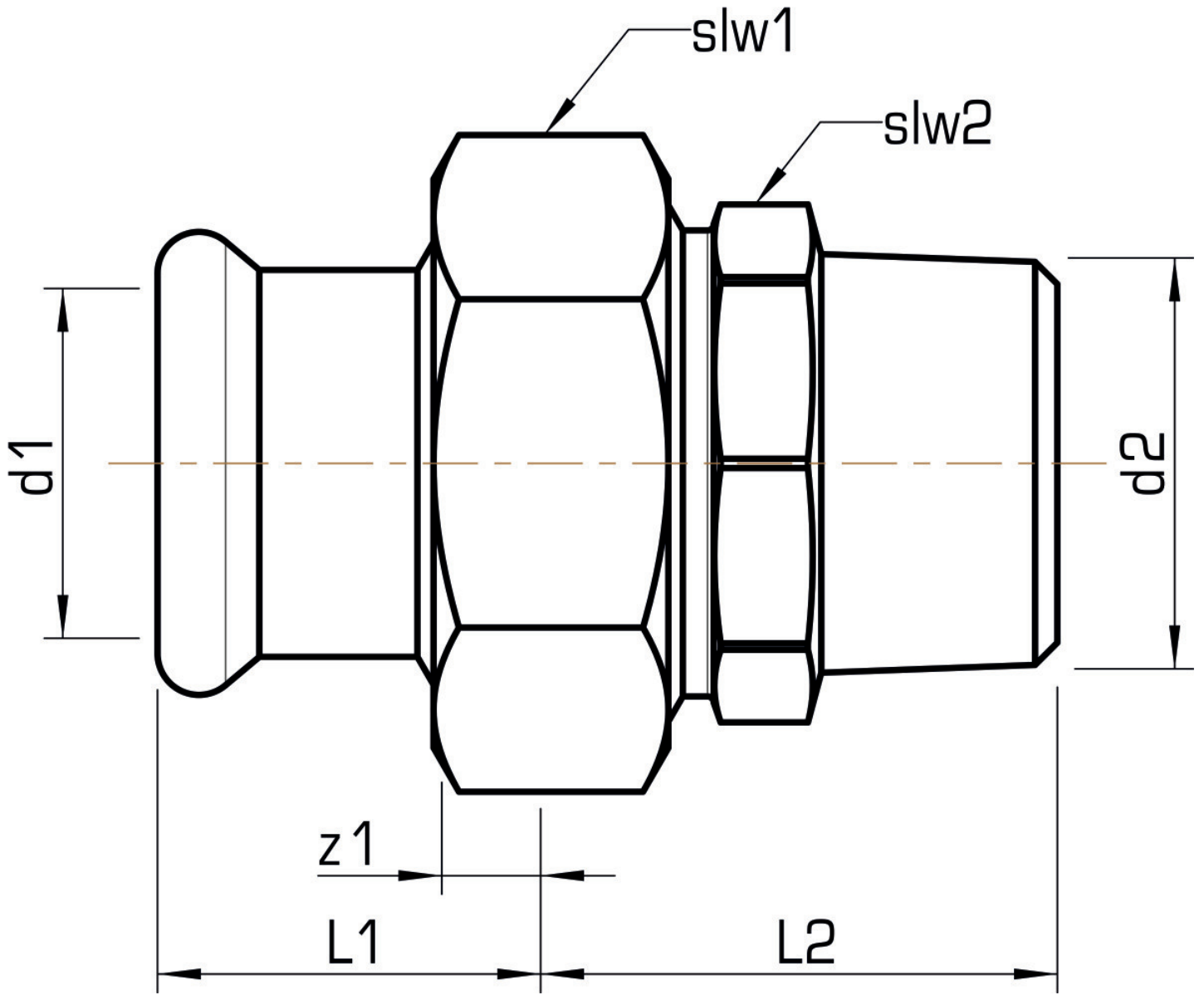
Specifications

Article information

port 1	Pressmuffe
port 2	Außengewinde konisch BSPT-R (ISO 7-1 / EN 10226-1)
execution	1-part
design	gerade
press contour	M

Product information

VPE1	2,00 SA1
VPE2	40,00 KT1
VPE3	1000,00 DDP
weight	0,314 KGM
text	STEELFIX stainless steel press-fit union with male thread
INTRNR	73072980
material group	EDELSTAHL pressfittings
code	NP451



Art. No	label	d2 Inches	d1 mm	L1 mm	L2 mm	z1 mm	slw1 mm	slw2 mm
53741D05	22x1"	1"	22	30	42	9	37	39