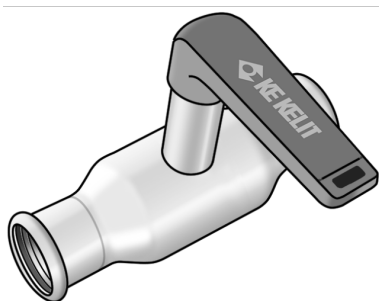


# STEEL FIX EDELSTAHL

NP453H STEELFIX stainless steel press-fit ball valve with extended spindle 15

53729BB0

## Areas of application



Press-fit ball valve with full passage, ball and base body with full flow, with extended spindle for thicker insulations made of stainless steel 1.4404, incl. EPDM sealing elements, "leak before pressed"

Press contour: M

Operating temperature: - 35°C - tmax 135°C

## Approvals:



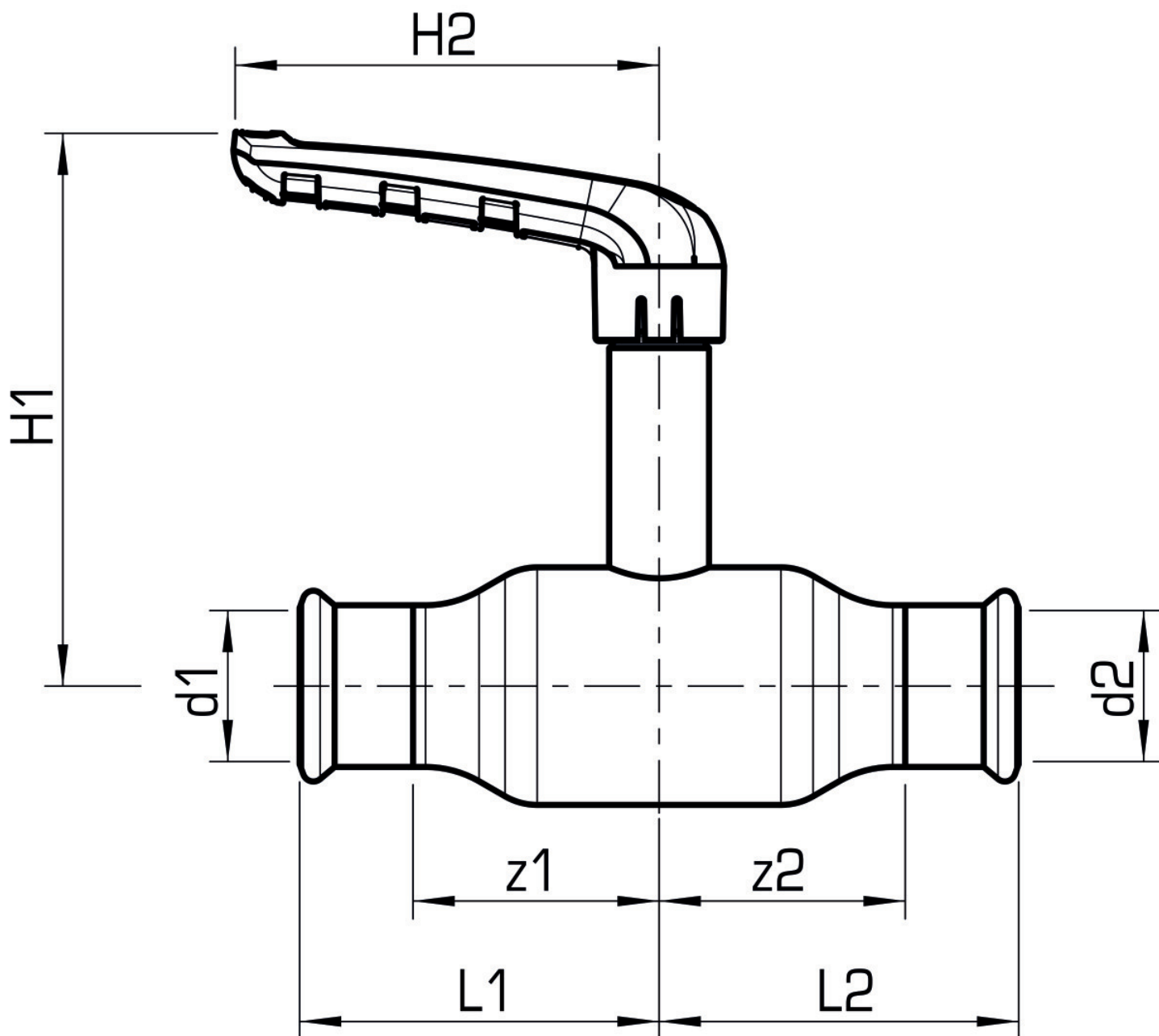
# Specifications

## Article information

|                  |            |
|------------------|------------|
| <b>port 1</b>    | Pressmuffe |
| <b>port 2</b>    | Pressmuffe |
| <b>execution</b> | gerade     |

## Product information

|                       |   |
|-----------------------|---|
| <b>VPE1</b>           | 1,00 SA1  |
| <b>VPE2</b>           | 20,00 KT1   |
| <b>weight</b>         | 0,260 KGM   |
| <b>text</b>           | STEELFIX stainless steel press-fit ball valve with extended spindle |
| <b>INTRNR</b>         | 84818081  |
| <b>material group</b> | EDELSTAHL pressfittings   |
| <b>code</b>           | NP453H  |



| Art. No  | label | d1 mm | d2 mm | L1 mm | L2 mm | z1 mm | z2 mm |
|----------|-------|-------|-------|-------|-------|-------|-------|
| 53729BB0 | 15    | 15    | 15    | 49    | 49    | 27    | 27    |