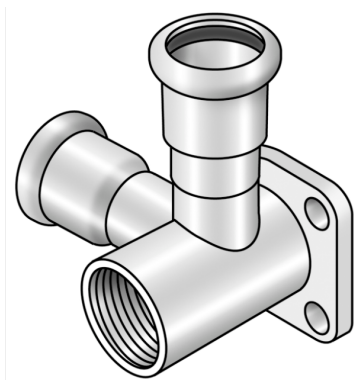


STEEL FIX EDELSTAHL

NP475 STEELFIX stainless steel press-fit connection tee with female thread 18x1/2"

53752C2C

Areas of application



Press-fitting connection tee, female, made of stainless steel 1.4404, incl. EPDM sealing components, "leak before pressed"

Press contour: M

Approvals:



Specifications

Article information

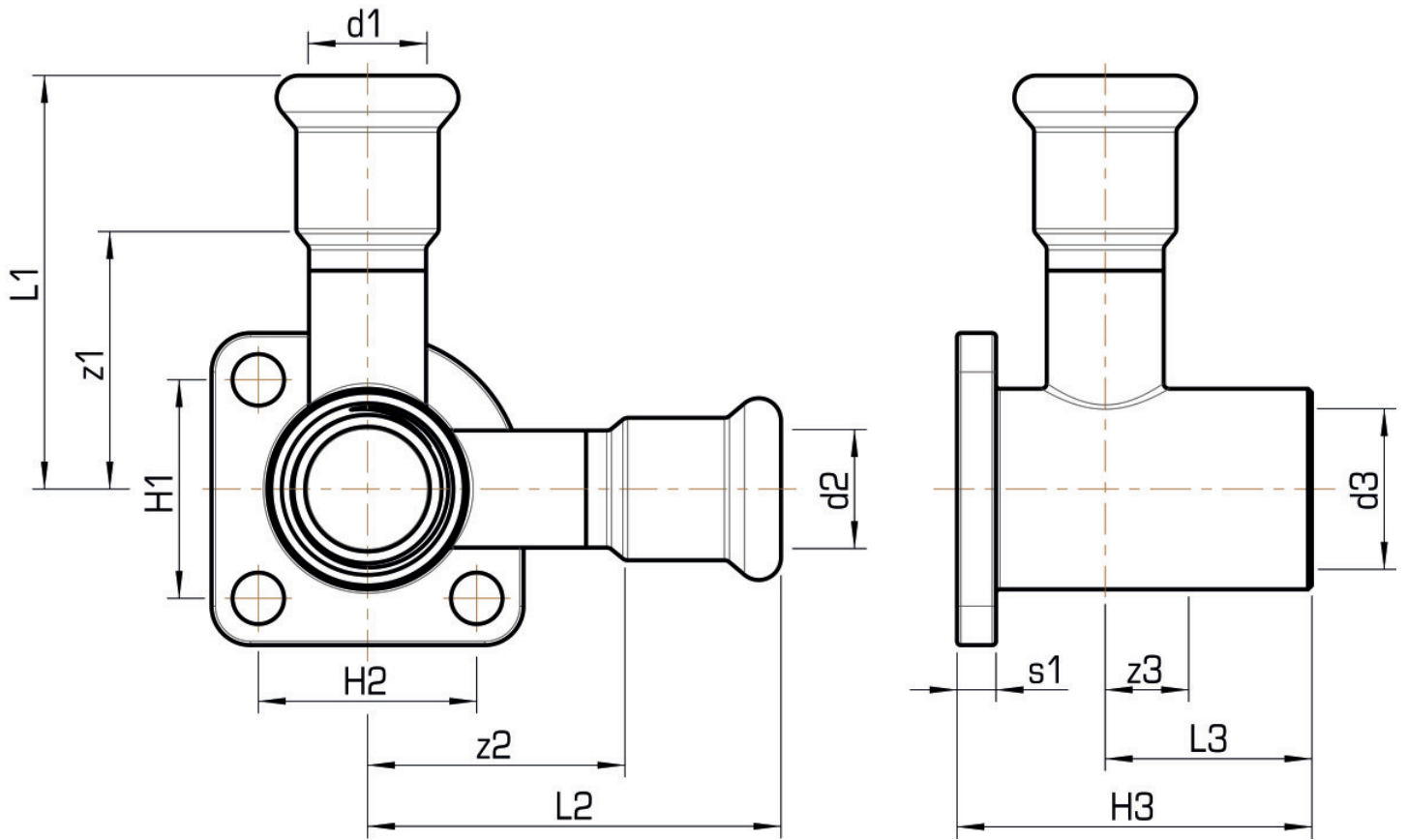
port 1	Pressmuffe
design	Durchgängig rechtwinklig
press contour	M

Technical properties

maximum working pressure at 20 ° C	16 bar
------------------------------------	--------

Product information

VPE1	10,00 SA1
VPE2	30,00 KT1
weight	0,170 KGM
text	STEELFIX stainless steel press-fit connection tee with female thread
INTRNR	73072980
material group	EDELSTAHL pressfittings
code	NP475



Art. No	label	d1 mm	L1 mm	L2 mm	L3 mm	z1 mm	z2 mm	z3 mm
53752C2C	18x1/2"	18	53	53	26,5	33	33	11