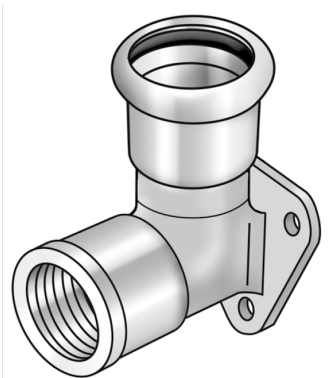


STEEL FIX EDELSTAHL

NP480 STEELFIX stainless steel press-fit-wall bracket fitting 90° with female thread 18x1/2"

53750C02

Areas of application



Press-wall bracket fitting 90°, female, made of stainless steel 1.4404, incl. EPDM sealing components, "leak before pressed"

Press contour: M

Approvals:



Specifications

Article information

port 1	Pressmuffe
design	rechtwinklig
press contour	M

Technical properties

maximum working pressure at 20 ° C	16 bar
------------------------------------	--------

Product information

VPE1	10,00 SA1
VPE2	70,00 KT1
VPE3	1750,00 DDP
weight	0,146 KGM
text	STEELFIX stainless steel press-fit-wall bracket fitting 90° with female thread
INTRNR	73072980
material group	EDELSTAHL pressfittings
code	NP480

Art. No	label	d1 mm	L1 mm	L3 mm	z1 mm	z3 mm
53750C02	18x1/2"	18	44,5	26	24,5	10



KE KELIT GmbH

A 4020 Linz, Ignaz-Mayer-Straße 17, Austria, Europe

PHONE +43 (0) 50 779 E-MAIL office@kekelit.com

www.kekelit.com