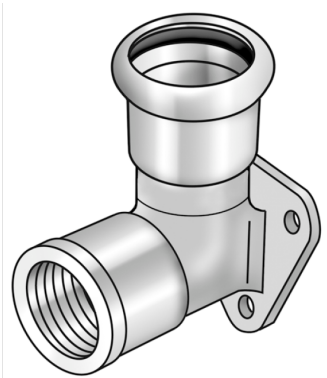


STEEL FIX EDELSTAHL

NP480 STEELFIX stainless steel press-fit-wall bracket fitting 90° with female thread 22x3/4"

53750D04

Areas of application



Press-wall bracket fitting 90°, female, made of stainless steel 1.4404, incl. EPDM sealing components, "leak before pressed"

Press contour: M

Approvals:



Specifications

Article information

port 1 Pressmuffe

design rechtwinklig

press contour M

Technical properties

maximum working pressure at 20 ° C 16 bar

Product information

VPE1 10,00 SA1

VPE2 50,00 KT1

VPE3 1250,00 DDP

weight 0,278 KGM

text STEELFIX stainless steel press-fit-wall bracket fitting 90° with female thread

INTRNR 73072980

material group EDELSTAHL pressfittings

code NP480

Art. No	label	d1 mm	L1 mm	L3 mm	z1 mm	z3 mm
53750D04	22x3/4"	22	48,5	33	27,5	12,7