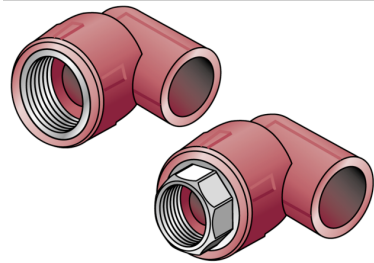


# KETRIX

## TRI23 KETRIX 90° adapter elbow with female thread 32x1"S

55216F05

### Areas of application



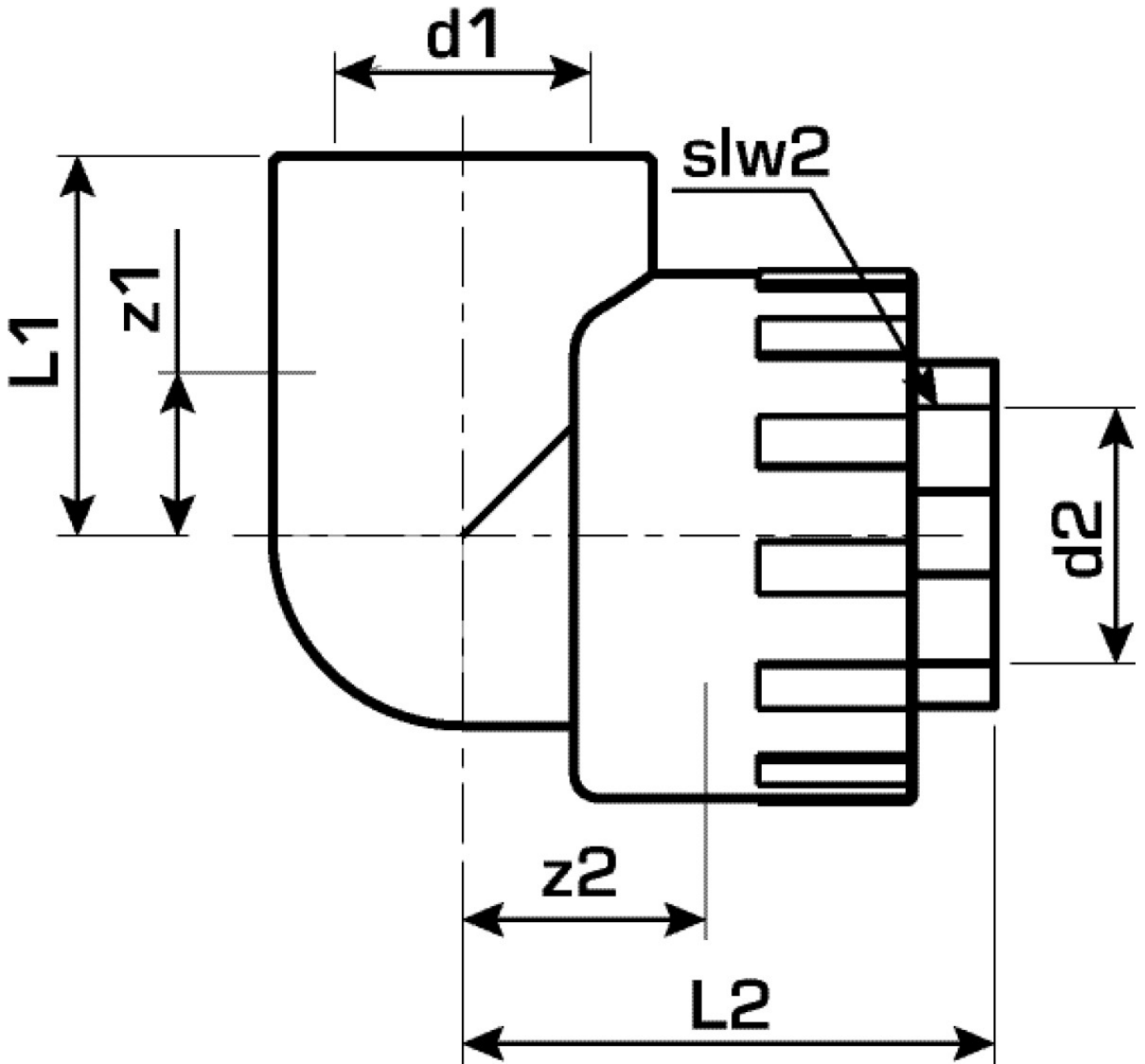
KETRIX polyfusion weld fitting for connecting POB pipes with fittings made of the same material without narrowing the cross-section, with injected male thread made of dezincification-resistant brass and non-porous metal-plating, thread conforms to ÖNORM EN 10226

System parts marked with an "S" are produced with a wrench attachment connection

Do NOT connect to threaded pipes or to cast iron fittings!

# Specifications

Product information	
VPE1	5,00 SA1
VPE2	30,00 KT1
VPE3	120,00 KT2
VPE4	2880,00 PAL
weight	0,220 KGM
text	KETRIX 90° adapter elbow with female thread
INTRNR	39174000
main material group	KETRIX
material group	KETRIX metal fittings
code	TRI23



Art. No	label
55216F05	32x1"S