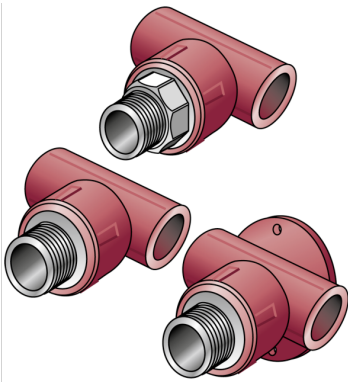


KETRIX

TRI31 KETRIX tee with male thread branch 20x1/2"BF

55218DA2

Areas of application



KETRIX polyfusion weld fitting for connecting POB pipes with fittings made of the same material without narrowing the cross-section, with injected male thread made of dezincification-resistant brass and non-porous metal plating, thread conforms to ÖNORM EN 10226

System parts marked with an "S" are produced with a wrench attachment connection

Specifications

Technical properties

maximum working pressure at 20 ° C 16 bar

Product information

VPE1 10,00 SA1

VPE2 60,00 KT1

VPE3 240,00 KT2

VPE4 5760,00 PAL

weight 0,115 KGM

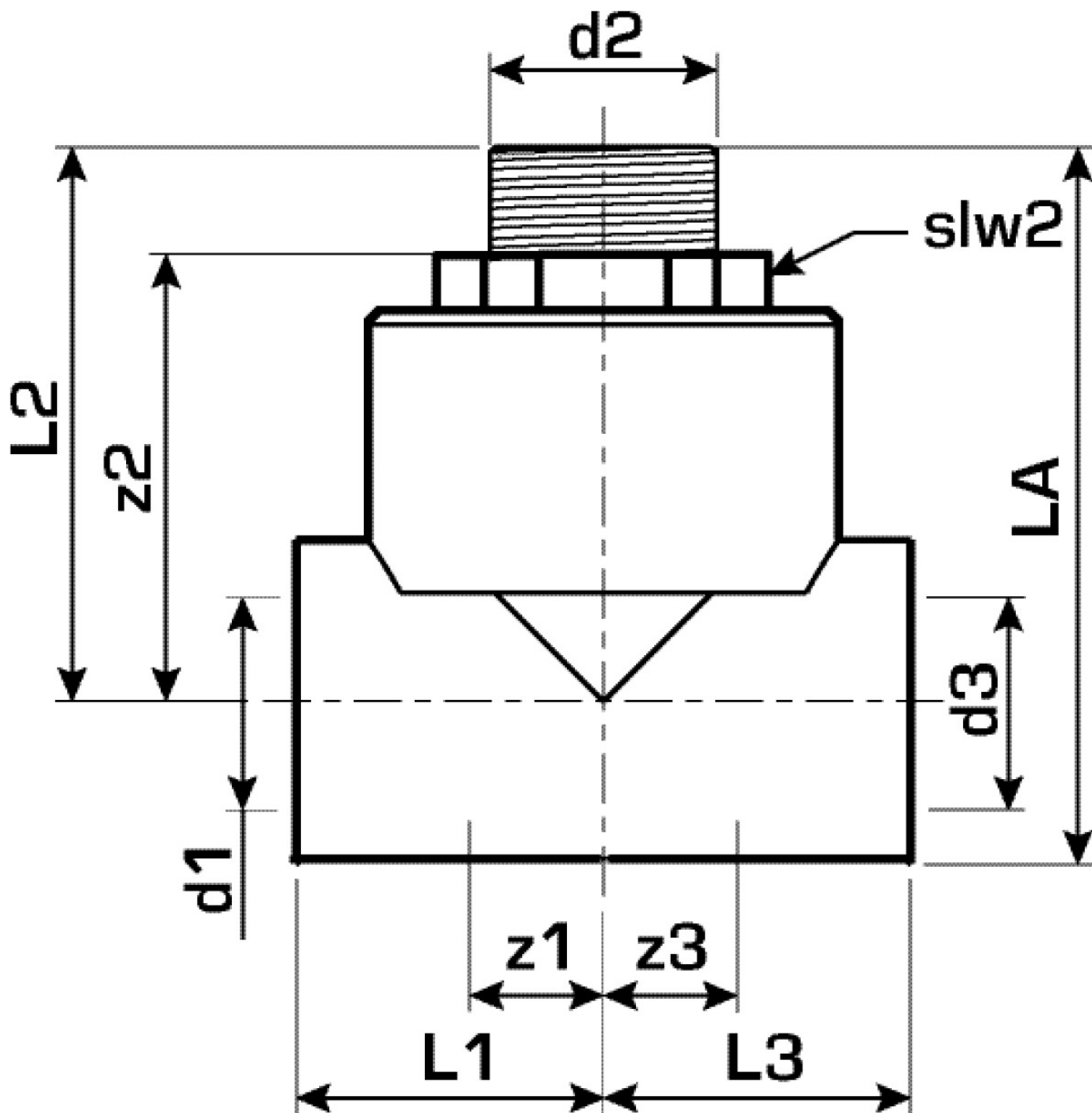
text KETRIX tee with male thread branch

INTRNR 39174000

main material group KETRIX

material group KETRIX metal fittings

code TRI31



Art. No	label
55218DA2	20x1/2"BF