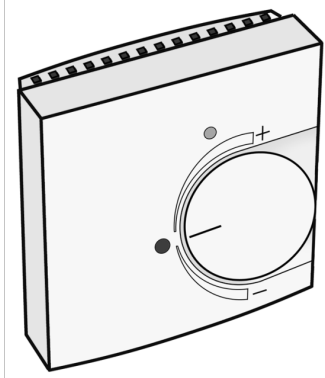


# CLIMATE FIX

## KC594 CLIMATEFIX temperature controller Heating and cooling 1 or 2 manifolds

6354310

### Areas of application



Thermostat for direct activation of thermal motors KM596 (24 V). WITH dew point input, to monitor the dew point of the chilled ceiling WITHOUT using the dew point monitor KC560

Function - heating and cooling with 1 or 2 manifolds:

1-circuit control (2-pipe system) with a manifold for heating and cooling, switching between heating and cooling is performed via an external switching signal (changeover-contact)

Setting 1-circuit control (2 conductors): Jumper 1 WITHOUT bridge

2-circuit control (4-pipe system) with one manifold each for heating and cooling  
Setting 2-circuit control (4-pipe system): Jumper 1 WITH bridge (factory setting)

The factory-set zero-point (21°C) can be changed by +/- 8K

Connected voltage: 24 V AC/DC

Colour: white



**KE KELIT GmbH**

A 4020 Linz, Ignaz-Mayer-Straße 17, Austria, Europe

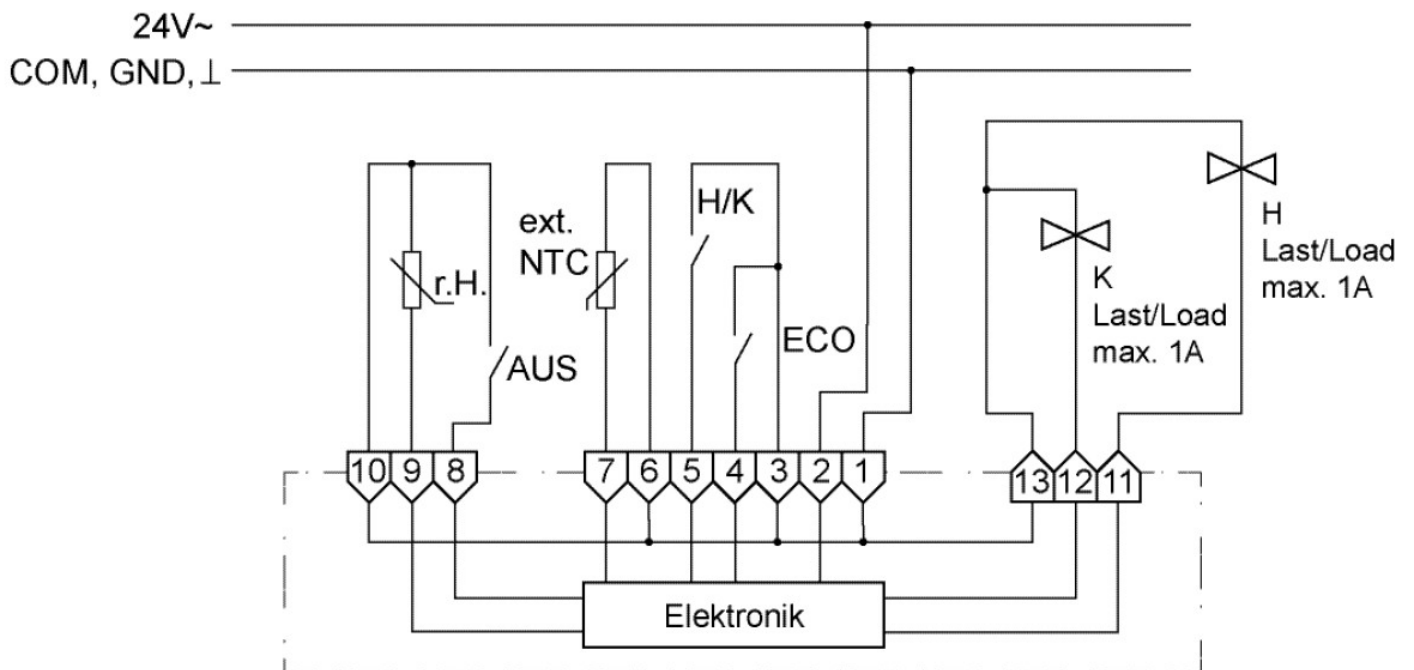
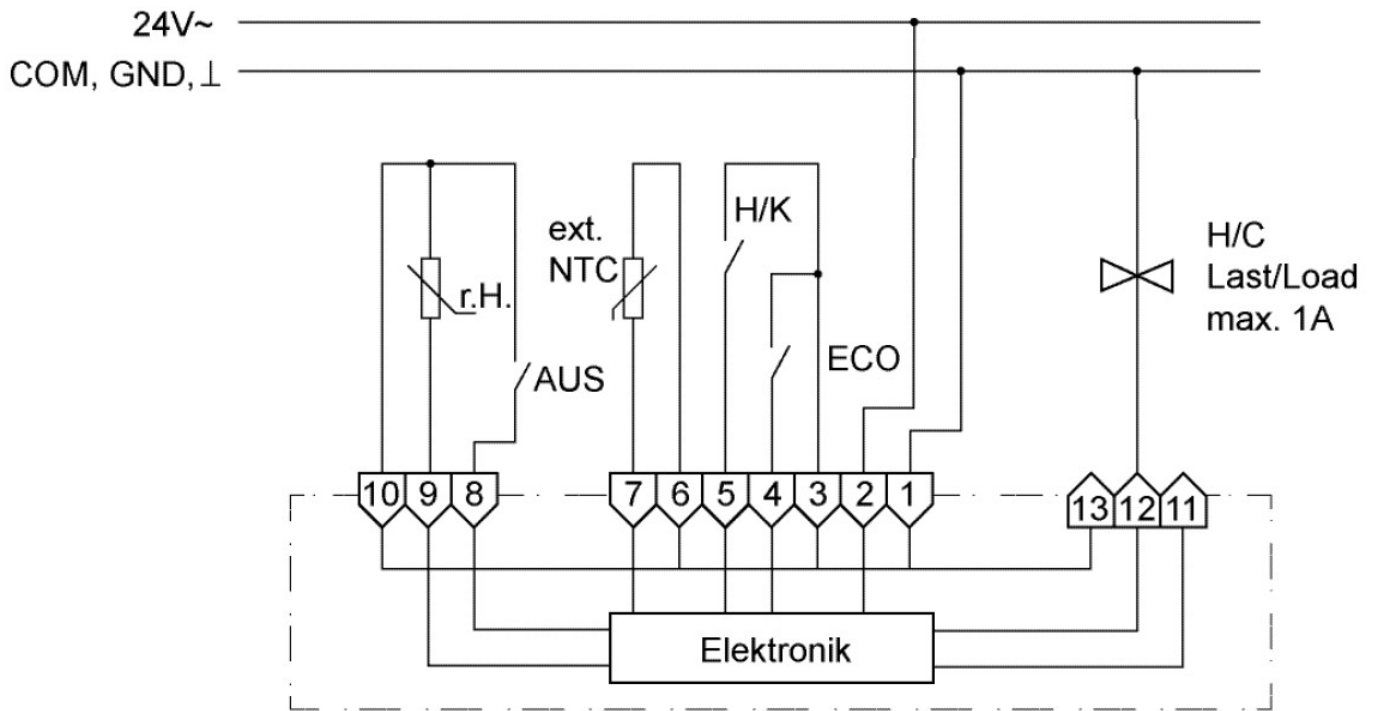
**PHONE** +43 (0) 50 779 **E-MAIL** [office@kekelit.com](mailto:office@kekelit.com)

[www.kekelit.com](http://www.kekelit.com)

# Specifications

## Product information

<b>VPE1</b>	1,00 KT1
<b>weight</b>	0,130 KGM
<b>text</b>	CLIMATEFIX temperature controller
<b>INTRNR</b>	90321080
<b>main material group</b>	CLIMATEFIX
<b>material group</b>	CLIMATEFIX fittings
<b>code</b>	KC594



Art. No	label
6354310	Heating and cooling 1 or 2 manifolds



**KE KELIT GmbH**  
A 4020 Linz, Ignaz-Mayer-Straße 17, Austria, Europe  
**PHONE** +43 (0) 50 779 **E-MAIL** office@kekelit.com  
www.kekelit.com