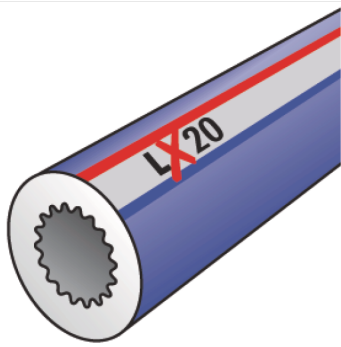


# LEXEL

## LX20 LEXEL insulation hose - 20 3/4"-28

5140050

### Areas of application



Insulation hose made of cross-linked closed-cell polyethylene with onto it extruded woven tape fabric and viscoplastic protective film, for heat and structure-borne insulation, sound insulation increased with a knob-air chamber profile on the inside of the hose, CFC-free

Colour: blue

Length: 2m

Thickness: 20mm

# Specifications

## Technical properties

**thermal conductivity** 0,036 W/(m.K)

## Product information

**VPE1** 60,00 KT1

**L** 2 m

**weight** 0,130 KGM

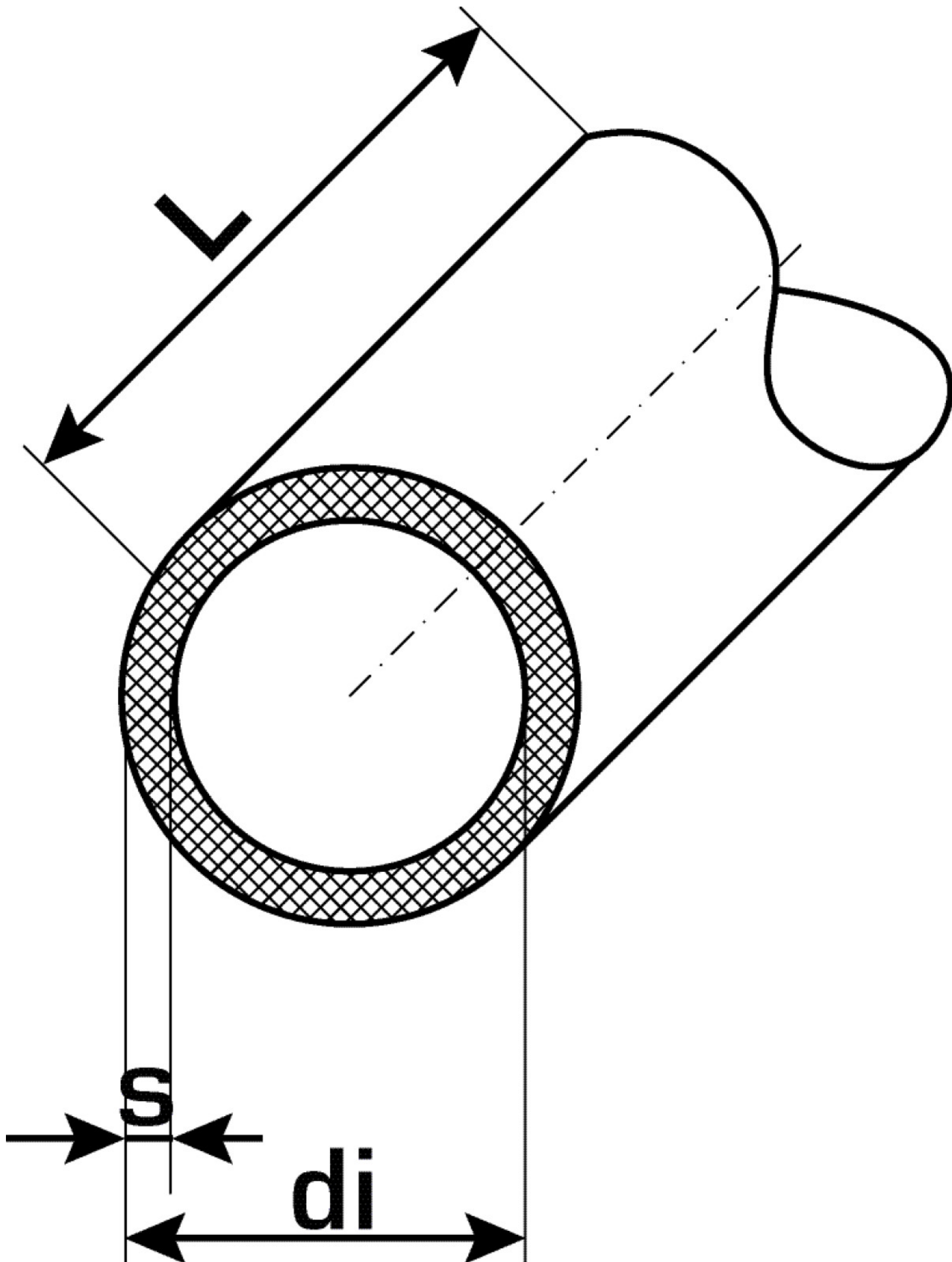
**text** LEXEL insulation hose - 20

**INTRNR** 39173900

**main material group** LEXEL

**material group** LEXEL isolation and accessories

**code** LX20



Art. No	label	d mm
5140050	3/4"-28	28



**KE KELIT GmbH**

A 4020 Linz, Ignaz-Mayer-Straße 17, Austria, Europe

**PHONE** +43 (0) 50 779 **E-MAIL** [office@kekelit.com](mailto:office@kekelit.com)

[www.kekelit.com](http://www.kekelit.com)