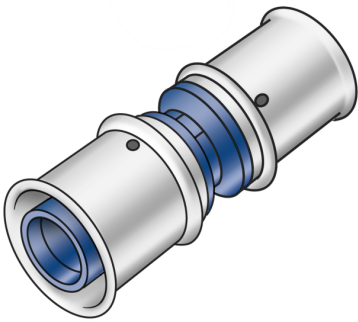


KELOX

KWX410 ?KELOX PPSU coupling 16/16

77600BB0

Areas of application



?Press coupling equal or reduced, made of PPSU (blue), incl. support sleeves with O-rings and stainless steel press-fit sleeves

Approvals:



Specifications

Article information

port 1	Pressing socket
port 2	Pressing socket
execution	1-part
design	Straight
press contour	U

Technical properties

maximum working pressure at 20 ° C	10 bar
------------------------------------	--------

Product information

VPE1	10,00 SA1
VPE2	200,00 KT1
weight	0,020 KGM
text	?KELOX PPSU coupling
INTRNR	39174000
main material group	KELOX
material group	KELOX-PPSU plastic fittings
code	KWX410



Art. No	label	d1 mm	d2 mm	L1 mm	L2 mm	z1 mm	z2 mm
77600BB0	16/16	16	16	30	30	10	10