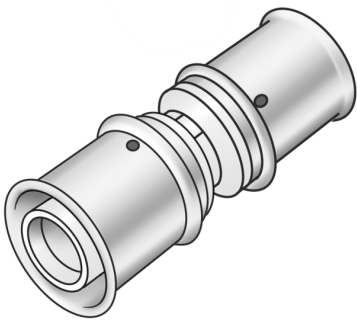


# KELOX

## KWX410W ?KELOX PPSU-W coupling 32/32

77100FF0

### Areas of application



?Press coupling equal or reduced, made of PPSU (white), incl. support sleeves with O-rings and stainless steel pressing sleeves

### Approvals:



# Specifications

## Article information

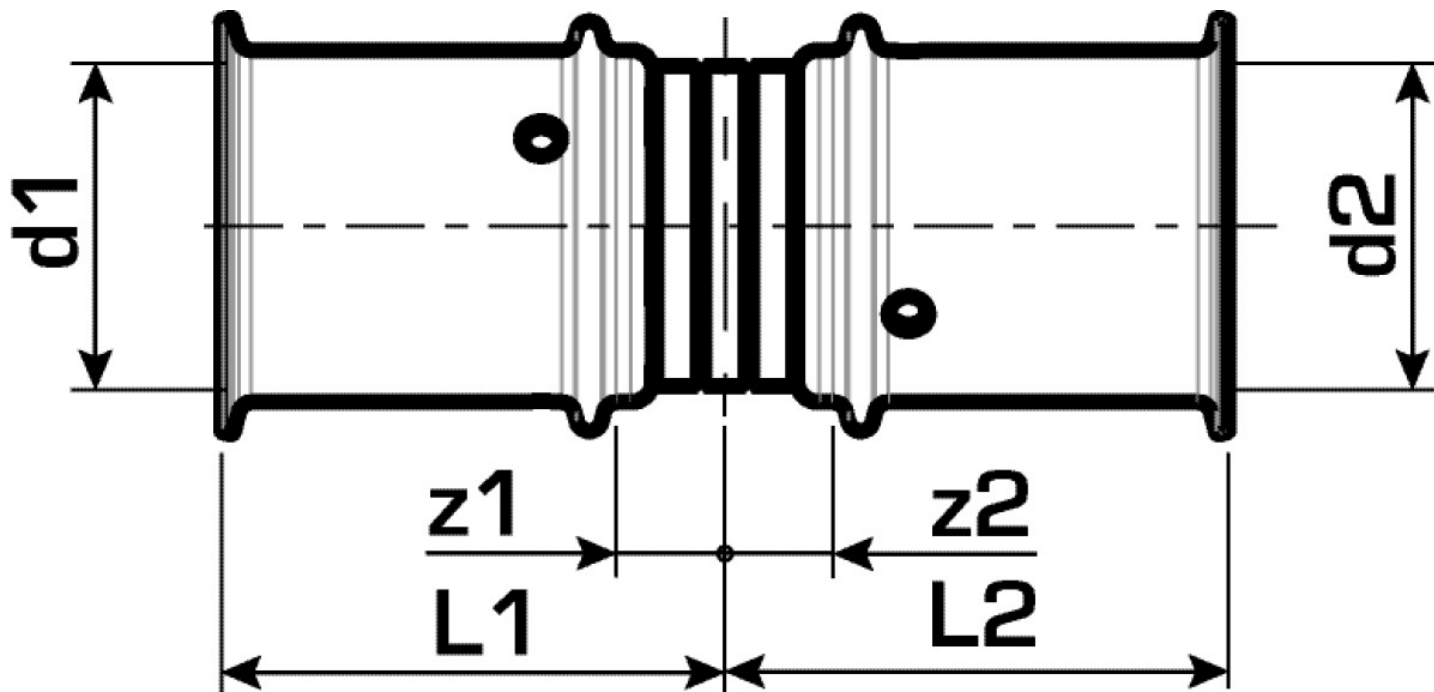
port 1	Pressing socket
port 2	Pressing socket
execution	1-part
design	Straight
press contour	U

## Technical properties

maximum working pressure at 20 ° C	10 bar
------------------------------------	--------

## Product information

VPE1	10,00 SA1
VPE2	60,00 KT1
weight	0,079 KGM
text	?KELOX PPSU-W coupling
INTRNR	39174000
main material group	KELOX
material group	KELOX-PPSU plastic fittings
code	KWX410W



Art. No	label	d1 mm	d2 mm	L1 mm	L2 mm	z1 mm	z2 mm
77100FF0	32/32	32	32	41	41	12	12