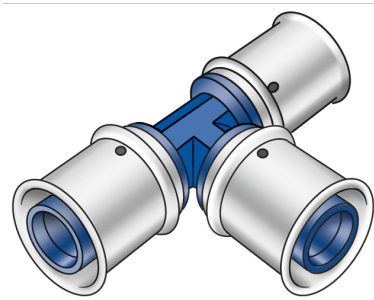


# KELOX

## KWX440 ?KELOX PPSU tee 16/16/16

77610BBB

### Areas of application



?Press tee piece equal or reduced, made of PPSU, incl. support sleeves with O-rings and stainless steel press-fit sleeves

### Approvals:



# Specifications

## Article information

port 1	Pressing socket
port 2	Pressing socket
port 3	Pressing socket
execution	Tee piece
angle	90 °
press contour	U

## Technical properties

maximum working pressure at 20 ° C	16 bar
------------------------------------	--------

## Product information

VPE1	10,00 SA1
VPE2	150,00 KT1
weight	0,022 KGM
text	?KELOX PPSU tee
INTRNR	39174000
main material group	KELOX
material group	KELOX-PPSU plastic fittings
code	KWX440



Art. No	label	d1 mm	d2 mm	d3 mm	L1 mm	L2 mm	L3 mm	z1 mm	z2 mm	z3 mm
77610BBE	16/16/16	16	16	16	40	40	40	15	15	15