

KELOX

KWX440W ?KELOX PPSU tee piece 32/25/25

77110FEE

Areas of application



?Press tee equal or reduced, made of PPSU (white), incl. support sleeves with O-rings and stainless steel press-fit sleeves

Approvals:



Specifications

Article information

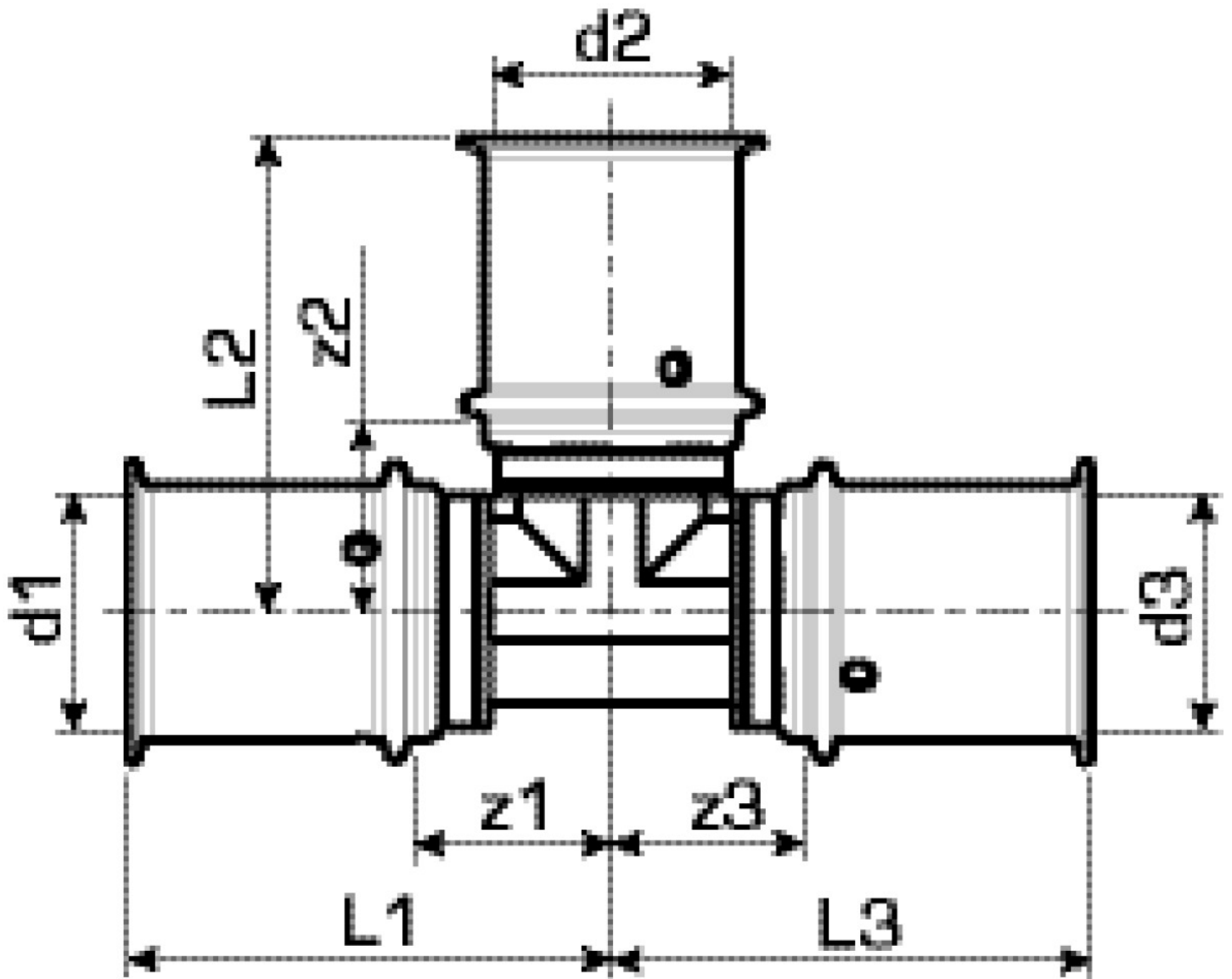
port 1	Pressing socket
port 2	Pressing socket
port 3	Pressing socket
execution	Tee piece
angle	90 °
press contour	U

Technical properties

maximum working pressure at 20 ° C	16 bar
------------------------------------	--------

Product information

VPE1	4,00 SA1
VPE2	40,00 KT1
weight	0,109 KGM
text	?KELOX PPSU tee piece
INTRNR	39174000
main material group	KELOX
material group	KELOX-PPSU plastic fittings
code	KWX440W



Art. No	label	d1 mm	d2 mm	d3 mm	L1 mm	L2 mm	L3 mm	z1 mm	z2 mm	z3 mm
77110FEE	32/25/25	32	20	32	53	52	53	25	29	25