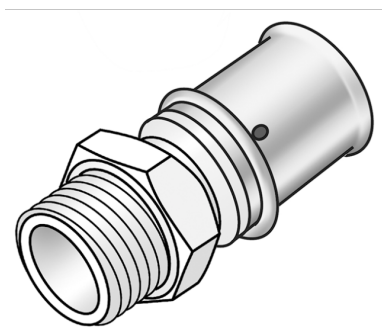


# KELOX

KWX450W ?KELOX PPSU-W adapter with male thread 16x1/2"

77702B02

## Areas of application



?Press-fit adapter with male thread for sealing with hemp, made of PPSU (white), incl. support sleeves with O-rings and stainless steel press-fit sleeves, "leak before pressed"  
DO NOT use liquid sealants or thread sealing tape!

## Approvals:



KE KELIT GmbH

A 4020 Linz, Ignaz-Mayer-Straße 17, Austria, Europe

PHONE +43 (0) 50 779 E-MAIL [office@kekelit.com](mailto:office@kekelit.com)

[www.kekelit.com](http://www.kekelit.com)

# Specifications

## Article information

|               |                            |
|---------------|----------------------------|
| port 1        | Pressmuffe                 |
| port 2        | Außengewinde konisch (NPT) |
| press contour | U                          |

## Technical properties

|                                    |        |
|------------------------------------|--------|
| maximum working pressure at 20 ° C | 16 bar |
|------------------------------------|--------|

## Product information

|                     |  |
|---------------------|--|
| VPE1                | 10,00 SA1                              |
| VPE2                | 200,00 KT1                             |
| weight              | 0,020 KGM                              |
| text                | ?KELOX PPSU-W adapter with male thread |
| INTRNR              | 39174000                               |
| main material group | KELOX                                  |
| material group      | KELOX-PPSU plastic fittings            |
| code                | KWX450W                                |

| Art. No  | label   | d1 mm |
|----------|---------|-------|
| 77702B02 | 16x1/2" | 16    |