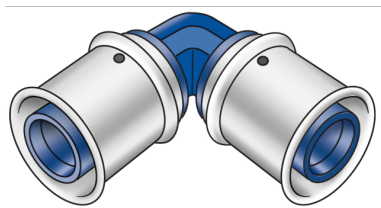


# KWX420 ?KELOX PPSU elbow 90° 32

77603FF0

## Areas of application



?Press elbow 90° for changing direction with a minimal radius, made of PPSU, incl. support sleeves with O-rings and stainless steel press-fit sleeves

## Approvals:



# Specifications

## Article information

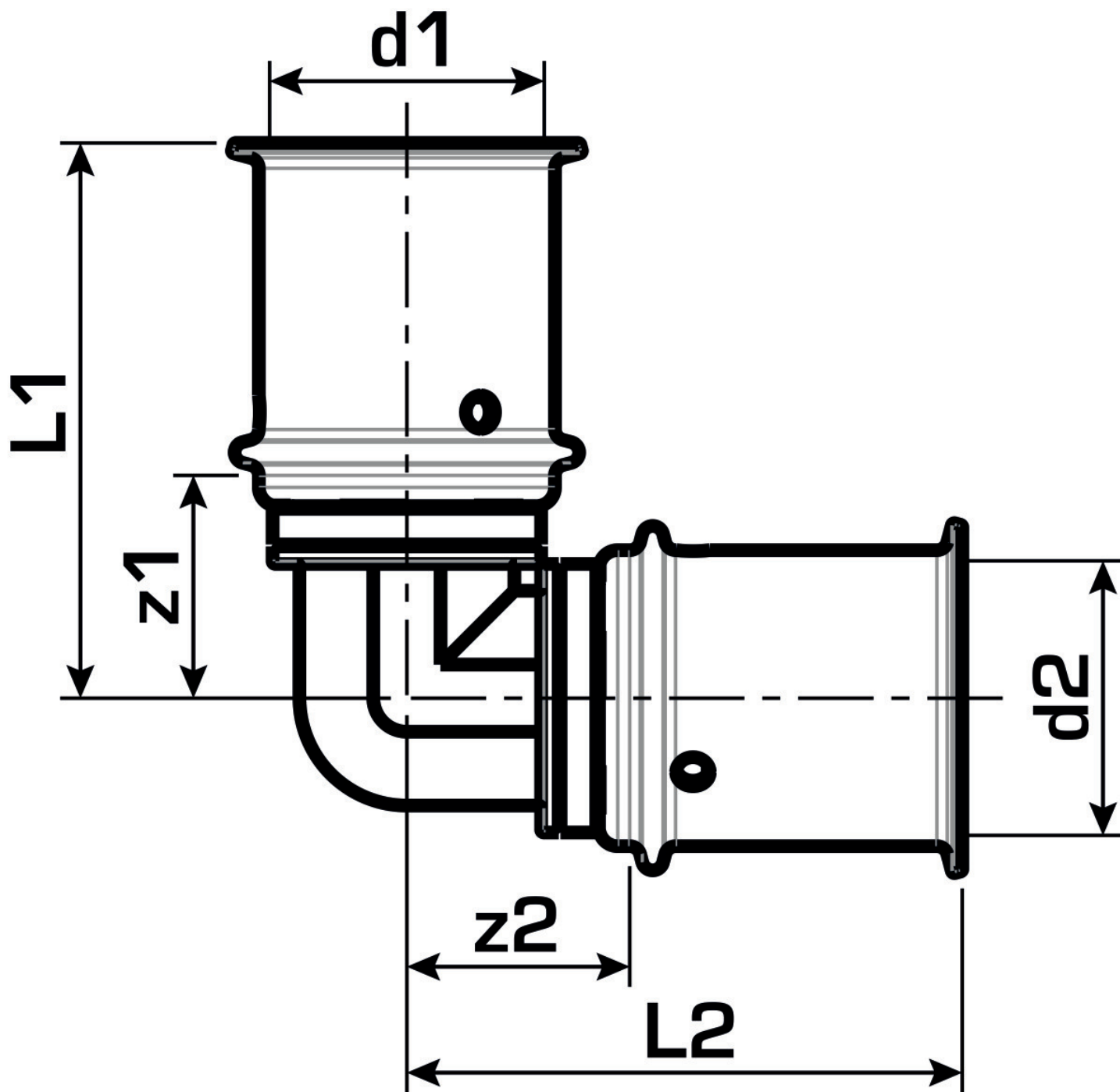
port 1	Pressing socket
port 2	Pressing socket
execution	1-part
design	Knee
angle	90 °
press contour	U

## Technical properties

maximum working pressure at 20 ° C	10 bar
------------------------------------	--------

## Product information

VPE1	4,00 SA1
VPE2	44,00 KT1
weight	0,087 KGM
text	?KELOX PPSU elbow 90°
INTRNR	39174000
main material group	KELOX
material group	KELOX-PPSU plastic fittings
code	KWX420



Art. No	label	d1 mm	d2 mm	L1 mm	L2 mm	z1 mm	z2 mm
77603FF0	32	32	32	56	56	26	26