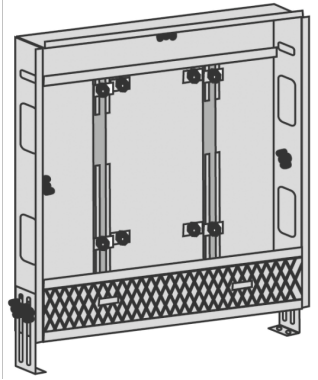


# KELOX<sup>FB</sup>

KM570 KELOX universal manifold cabinet body 5-8 L: 690mm

9000600

## Areas of application



?Sendzimir-galvanised sheet metal cabinet can be connected from below or at the side; height-adjustable feet; surface-or flush-mounted visible part can be retrofitted. Number of manifold outlets matched to KM590E and KMP590M KELOX FB manifold plaster trim element below cabinet, Width: max. 120mm  
Cabinet depth: 75mm  
Installation height: 600mm above finished floor

# Specifications

Product information	
VPE1	1,00 KT1
VPE2	35,00 PAL
weight	7,800 KGM
text	KELOX universal manifold cabinet body
INTRNR	84818099
code	KM570

Art. No	label	t mm
9000600	5-8 L: 690mm	75