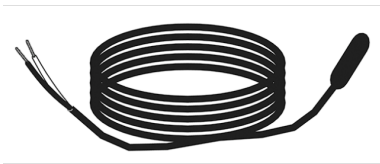


KELOX_{FB}

KM699 KELOX FB floor sensor Underfloor heating sensor

5881600

Areas of application



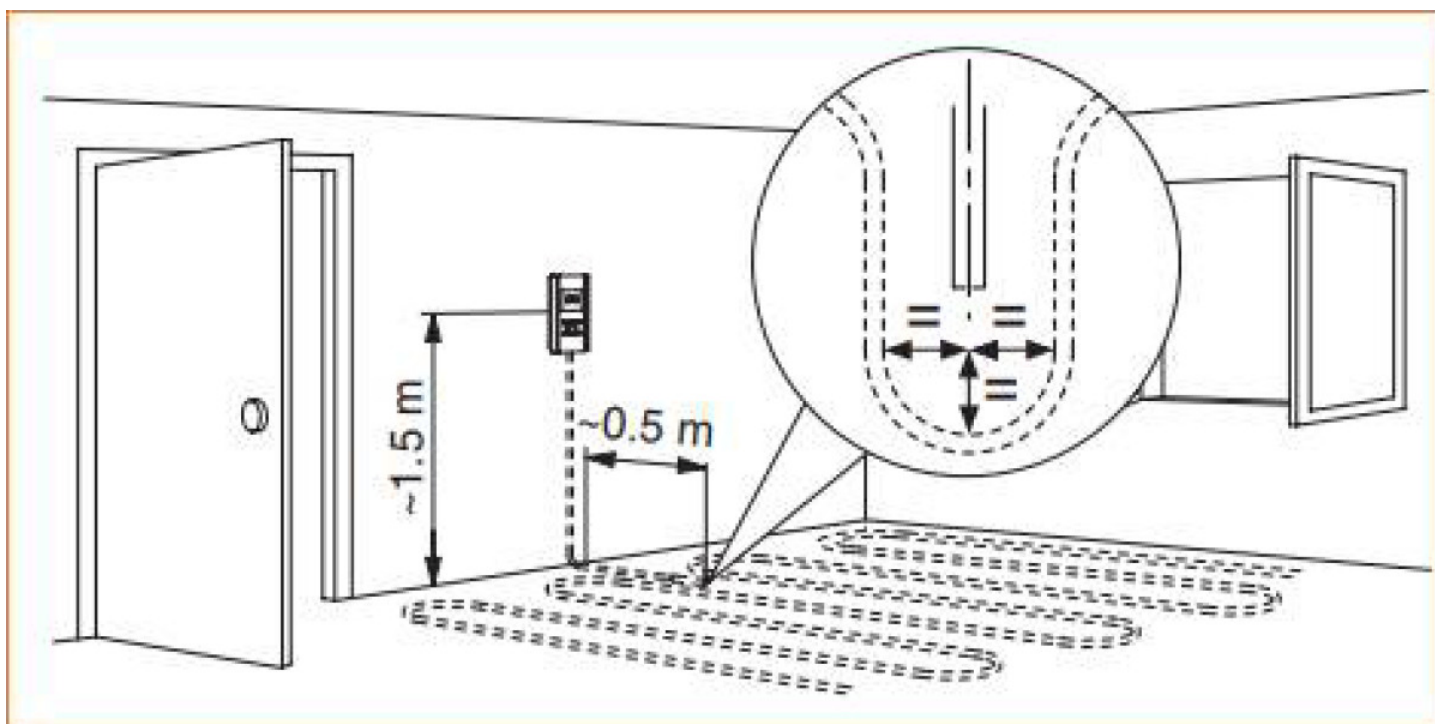
KELOX FB floor sensor for collecting and monitoring the underfloor heating temperature. If possible, installation on the screed surface; connection and control carried out via KELOX room thermostats
Cable length: 3m

ATTENTION: Only in conjunction with KM690U, KM692K and KM694K!

Specifications

Product information

VPE1	1,00 KT1
weight	0,010 KGM
text	KELOX FB floor sensor
INTRNR	90321020
code	KM699



Art. No

5881600

label

Underfloor heating sensor