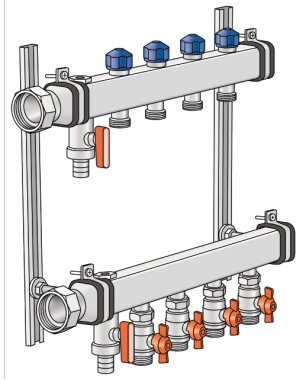


# KELOX<sub>FB</sub>

KU590E ULTRA PE-RT industrial surface manifold pipe 6/4" 6 L:620mm

7964060

## Areas of application



Stainless steel flow and return flow bar (6/4"), with bleeding and emptying at the manifold end, connections with pre-formed 6/4" flat-sealing cap nut. On the feed line ball valve, 3/4" non-porous metallised brass with euro cone male thread; on the return line thermostatic valve for setting the water amount, heating circuit outlets 3/4" euro cone with male thread, return flow valve bonnets to fit KM596 KELOX thermal motor including soundproofed steel consoles

Area of application: tmax. 80°C/6 bar

ATTENTION: WITHOUT KM220 Euro thread fitting!

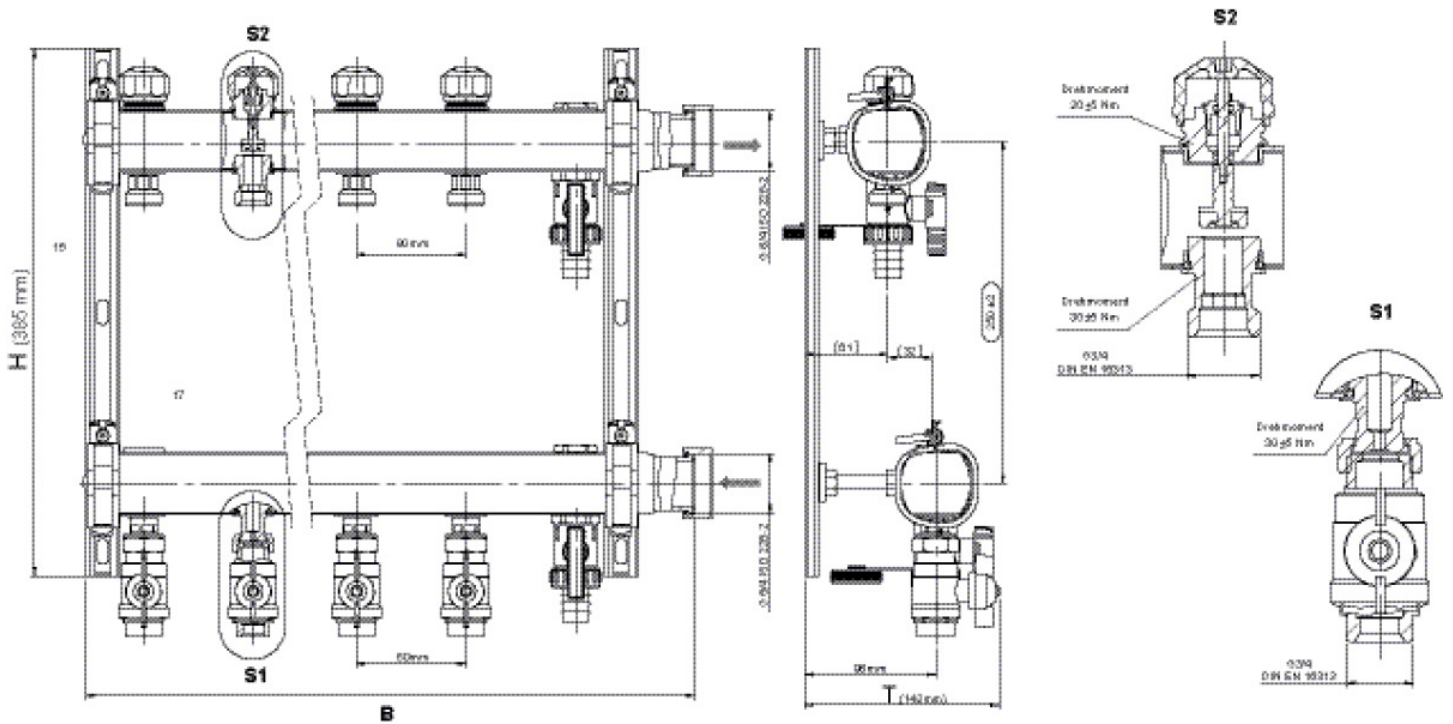
# Specifications

## Article information

extendible 0

## Product information

|        |   |
|--------|---|
| VPE1   | 1,00 KT1  |
| VPE2   | 24,00 PAL   |
| weight | 6,730 KGM   |
| text   | ULTRA PE-RT industrial surface manifold pipe 6/4" |
| INTRNR | 84818039  |
| code   | KU590E  |



| Art. No | label     | t mm | t mm | h mm |
|---------|-----------|------|------|------|
| 7964060 | 6 L:620mm | 142  | 610  | 385  |



**KE KELIT GmbH**

A 4020 Linz, Ignaz-Mayer-Straße 17, Austria, Europe

**PHONE** +43 (0) 50 779 **E-MAIL** [office@kekelit.com](mailto:office@kekelit.com)

[www.kekelit.com](http://www.kekelit.com)