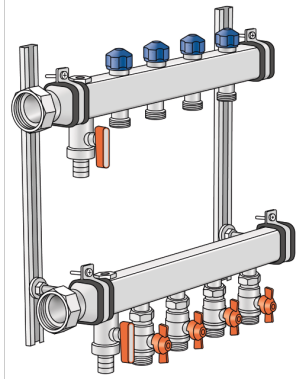


KELOX_{FB}

KU590E ULTRA PE-RT industrial surface manifold pipe 6/4" 11 L:1020mm

7964110

Areas of application



Stainless steel flow and return flow bar (6/4"), with bleeding and emptying at the manifold end, connections with pre-formed 6/4" flat-sealing cap nut. On the feed line ball valve, 3/4" non-porous metallised brass with euro cone male thread; on the return line thermostatic valve for setting the water amount, heating circuit outlets 3/4" euro cone with male thread, return flow valve bonnets to fit KM596 KELOX thermal motor including soundproofed steel consoles

Area of application: tmax. 80°C/6 bar

ATTENTION: WITHOUT KM220 Euro thread fitting!

Specifications

Article information

extendible

0

Product information

VPE1

1,00 KT1

VPE2

16,00 PAL

weight

10,720 KGM

text

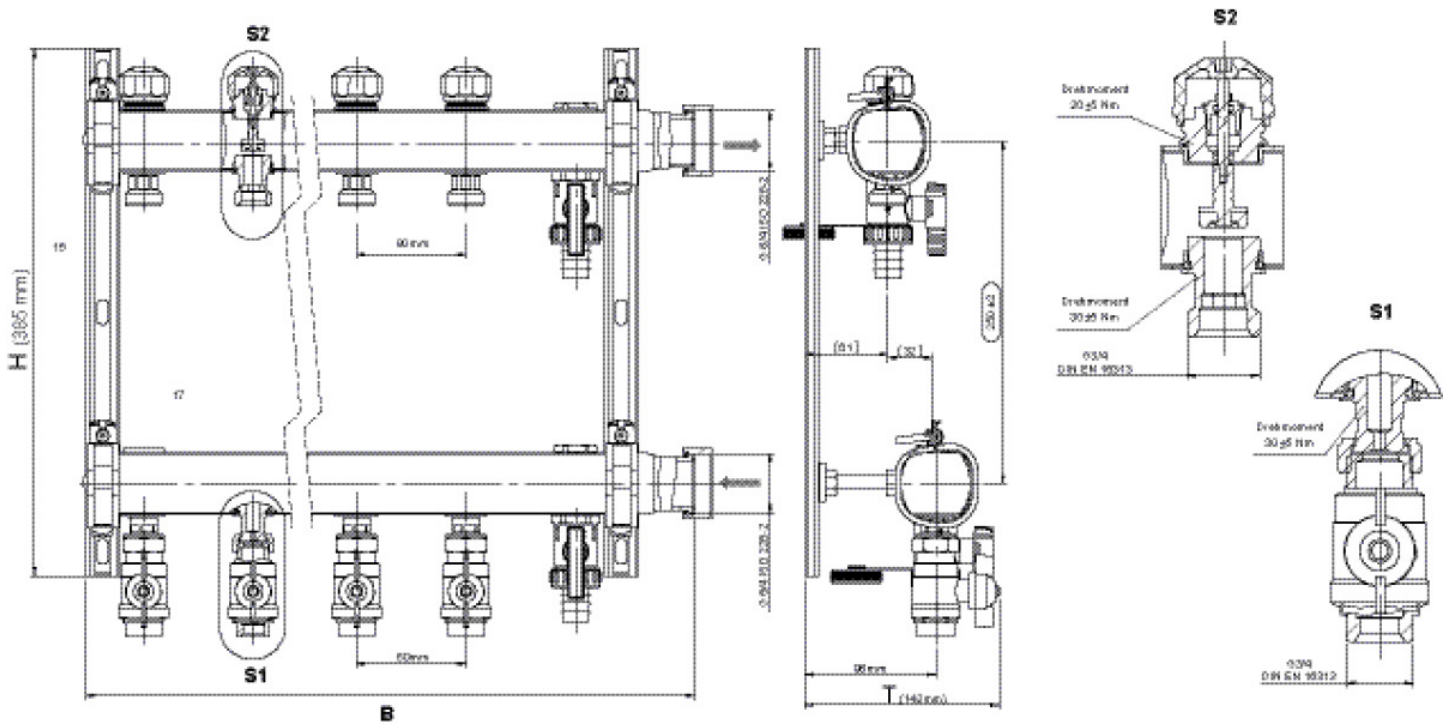
ULTRA PE-RT industrial surface manifold pipe 6/4"

INTRNR

84818039

code

KU590E



Art. No	label	t mm	t mm	h mm
7964110	11 L:1020mm	142	1010	385



KE KELIT GmbH

A 4020 Linz, Ignaz-Mayer-Straße 17, Austria, Europe

PHONE +43 (0) 50 779 **E-MAIL** office@kekelit.com

www.kekelit.com