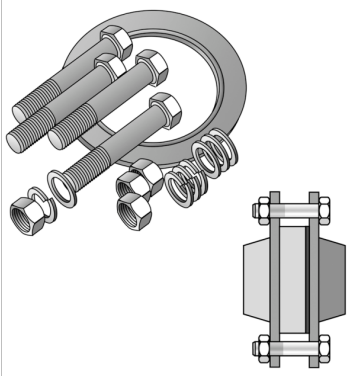


KELEN

K19A KELIT seal set for loose flange KE18 - steel flange Seal 63

27308600

Areas of application



Incl. screws, nuts, spring washers, shims and EPDM seal with steel insert, screw length aligned with KE18 collar bushing with K19 loose flange mounted on steel flange
EPDM seal with steel insert available separately!

Approvals:



Specifications

| Product information | |
|---------------------|---|
| VPE1 | 1,00 SA1 |
| weight | 0,035 KGM |
| text | KELIT seal set for loose flange KE18 - steel flange |
| INTRNR | 40169300 |
| main material group | KELEN |
| material group | KELEN accessories |
| code | K19A |

| Art. No | label |
|----------|---------|
| 27308600 | Seal 63 |