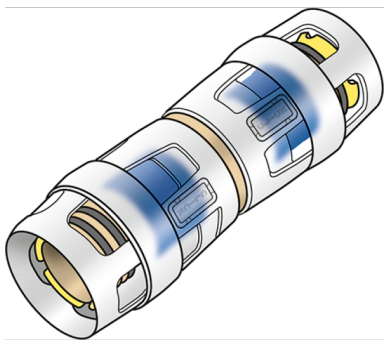


# KELOX

## KMP410X KELOX-PROTEC CLIX coupling 32/25

730100FE0

### Areas of application



Plug-in coupling equal or reduced, made of dezincification-resistant brass (DZR), including support sleeves with insertion click noise, as well as haptic and optical insertion indicator, O-rings, withdrawal barriers and a protector ring as an insertion locking device

### Approvals:



KE KELIT GmbH

A 4020 Linz, Ignaz-Mayer-Straße 17, Austria, Europe

PHONE +43 (0) 50 779 E-MAIL [office@kekelit.com](mailto:office@kekelit.com)

[www.kekelit.com](http://www.kekelit.com)

# Specifications

## Article information

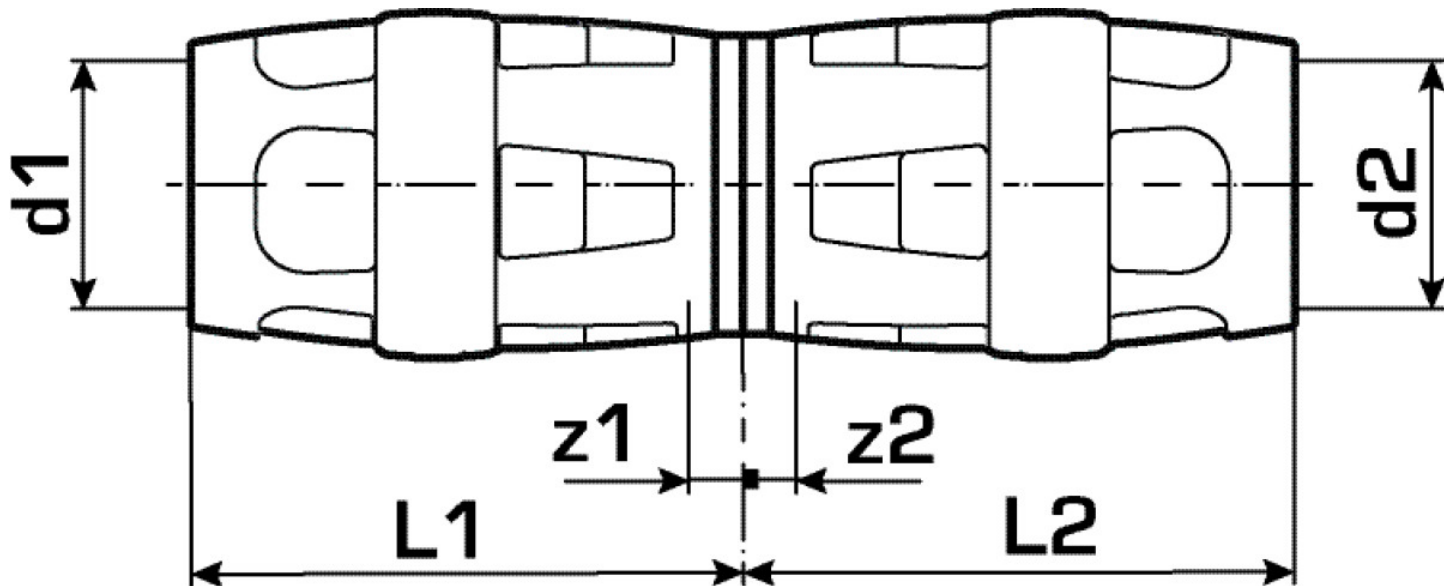
|           |               |
|-----------|---------------|
| port 1    | Plug-in       |
| port 2    | Plug-in       |
| execution | Miscellaneous |
| design    | Straight      |

## Technical properties

|                                    |        |
|------------------------------------|--------|
| maximum working pressure at 20 ° C | 10 bar |
|------------------------------------|--------|

## Product information

|                     |                            |
|---------------------|----------------------------|
| VPE1                | 10,00 SA1                  |
| VPE2                | 70,00 KT1                  |
| weight              | 0,135 KGM                  |
| text                | KELOX-PROTEC CLIX coupling |
| INTRNR              | 74122000                   |
| main material group | KELOX                      |
| material group      | KELOX-PROtec pushfittings  |
| code                | KMP410X                    |



| Art. No   | label | d1 mm | d2 mm | L1 mm | L2 mm | z1 mm | z2 mm |
|-----------|-------|-------|-------|-------|-------|-------|-------|
| 730100FE0 | 32/25 | 32    | 25    | 42,5  | 42,5  | 3,5   | 3,5   |