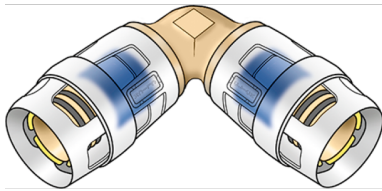


KELOX

KMP420X KELOX-PROTEC CLIX elbow 90° 25

730103EE0

Areas of application



Plug-in elbow 90° for changing direction with a minimal radius, made of dezincification-resistant brass (DZR), incl. push-on sleeve made of transparent polyamide with insertion click noise, as well as haptic and optical insertion indicator, O-rings, withdrawal barriers and protector ring as insertion locking device

Approvals:



KE KELIT GmbH

A 4020 Linz, Ignaz-Mayer-Straße 17, Austria, Europe

PHONE +43 (0) 50 779 E-MAIL office@kekelit.com

www.kekelit.com

Specifications

Article information

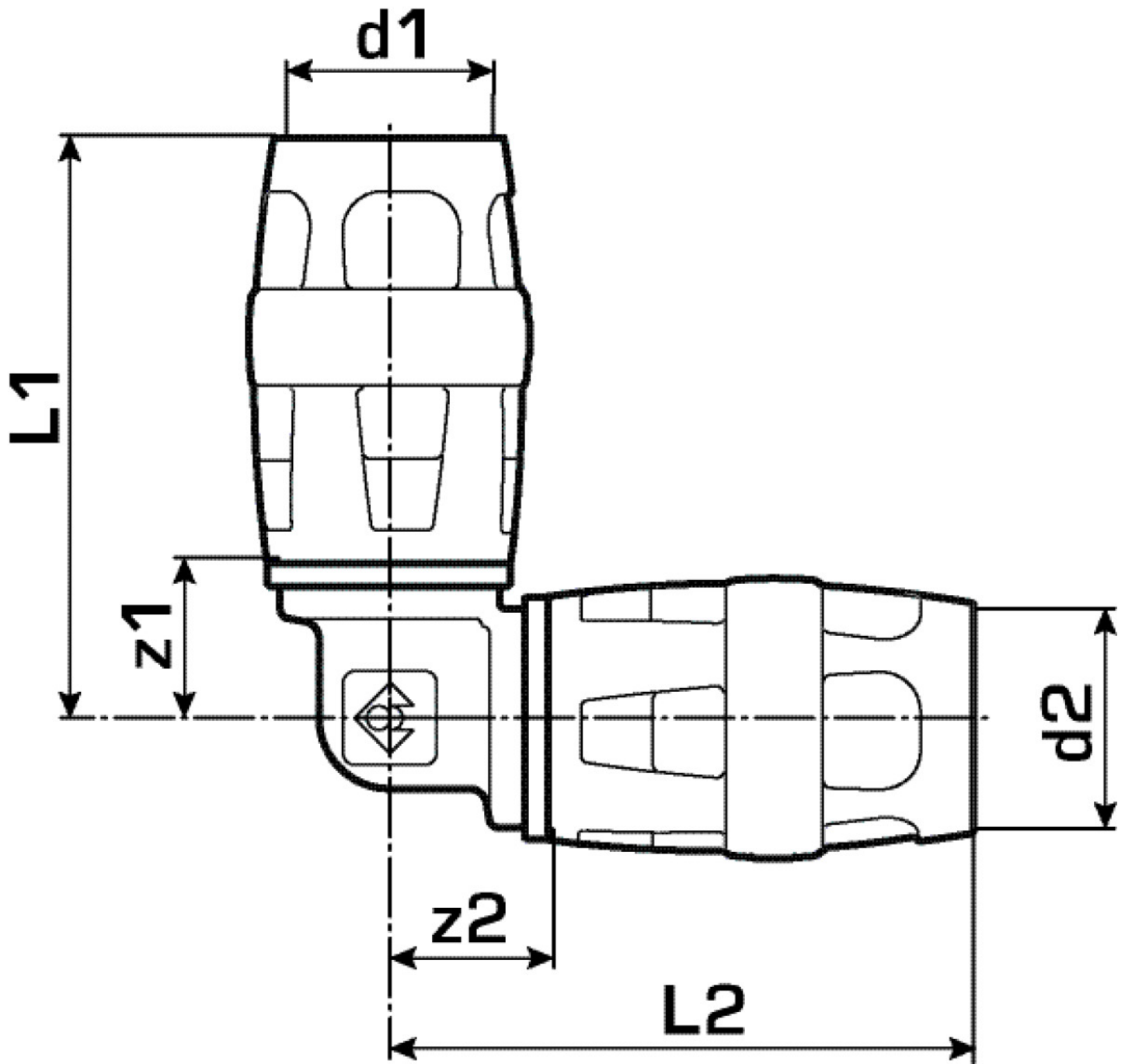
| | |
|-----------|-----------------------|
| port 1 | insert (push-fitting) |
| port 2 | Plug-in |
| execution | other |
| design | elbow (fitting) |
| angle | 90 ° |

Technical properties

| | |
|------------------------------------|--------|
| maximum working pressure at 20 ° C | 10 bar |
|------------------------------------|--------|

Product information

| | |
|---------------------|-----------------------------|
| VPE1 | 10,00 SA1 |
| VPE2 | 70,00 KT1 |
| weight | 0,158 KGM |
| text | KELOX-PROTEC CLIX elbow 90° |
| INTRNR | 74122000 |
| main material group | KELOX |
| material group | KELOX-PROtec pushfittings |
| code | KMP420X |



| Art. No | label | d1 mm | d2 mm | L1 mm | L2 mm | z1 mm | z2 mm |
|-----------|-------|-------|-------|-------|-------|-------|-------|
| 730103EE0 | 25 | 25 | 25 | 59 | 59 | 20 | 20 |