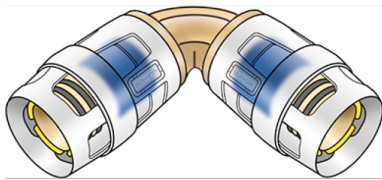


# KELOX

## KMP420ZX KELOX-PROTEC CLIX Zeta elbow 90° 25

730104EE0

### Areas of application



Zeta value-optimised push-in elbow 90°, made of non-porous dezincification-resistant (DZR) brass, including support sleeves with insertion click noise, as well as haptic and optical insertion indicator, O-rings, withdrawal barriers and a protector ring as an insertion locking device

### Approvals:



KE KELIT GmbH

A 4020 Linz, Ignaz-Mayer-Straße 17, Austria, Europe

PHONE +43 (0) 50 779 E-MAIL [office@kekelit.com](mailto:office@kekelit.com)

[www.kekelit.com](http://www.kekelit.com)

# Specifications

## Article information

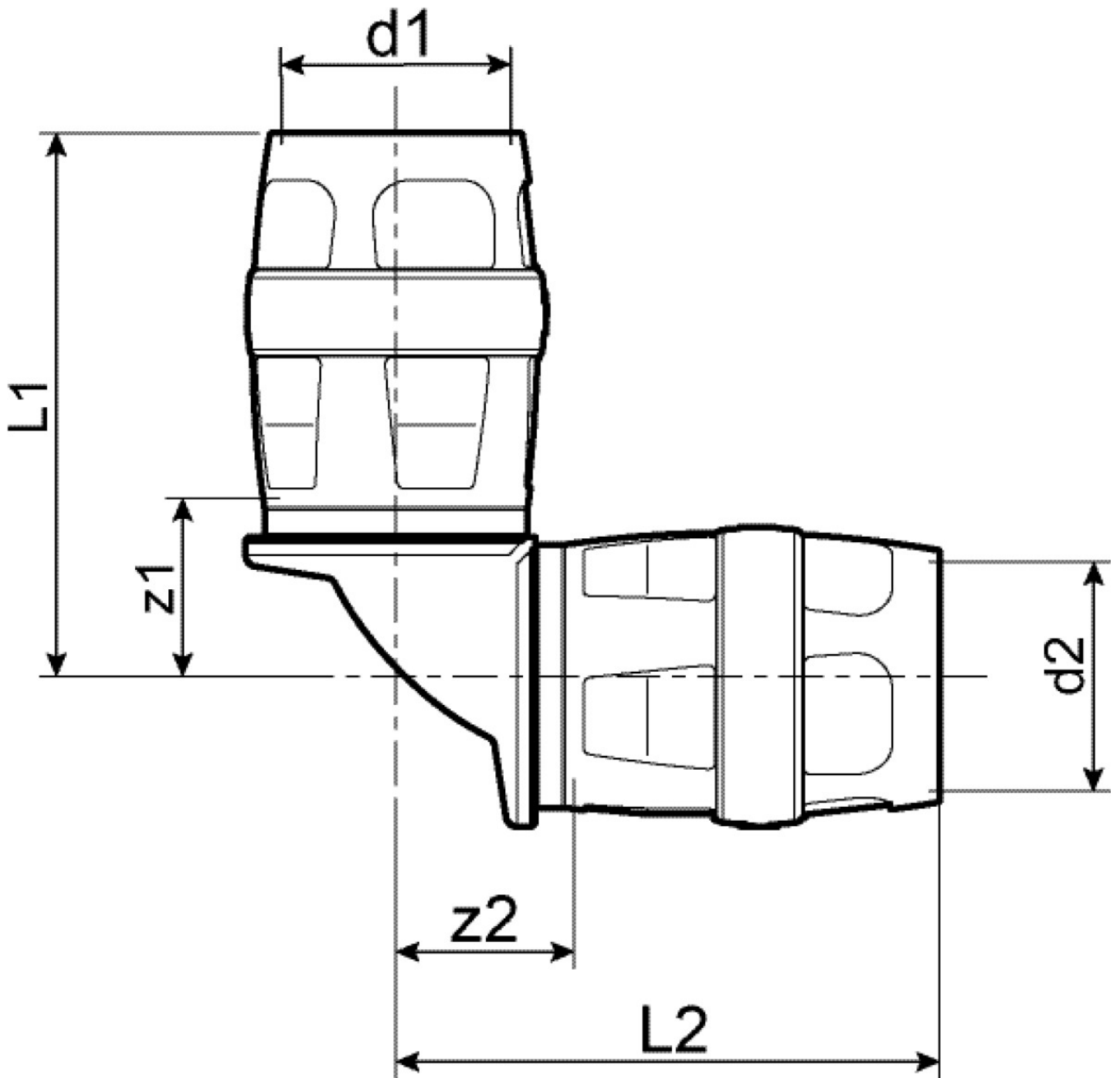
port 1	Plug-in
port 2	Plug-in
execution	Miscellaneous
design	Knee
angle	90 °

## Technical properties

maximum working pressure at 20 ° C	10 bar
------------------------------------	--------

## Product information

VPE1	10,00 SA1
VPE2	60,00 KT1
weight	0,026 KGM
text	KELOX-PROTEC CLIX Zeta elbow 90°
INTRNR	74122000
main material group	KELOX
material group	KELOX-PROtec pushfittings
code	KMP420ZX



Art. No	label	d1 mm	d2 mm	L1 mm	L2 mm	z1 mm	z2 mm
730104EE0	25	25	25	59	59	20	20